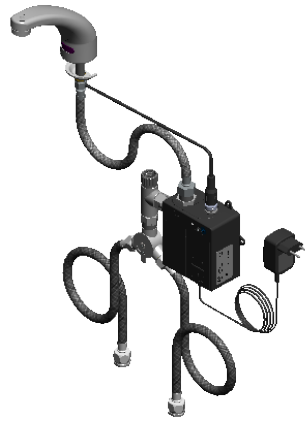
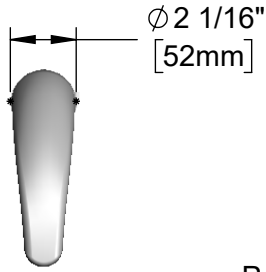


*This Space for Architect/Engineer Approval*

Job Name \_\_\_\_\_ Date \_\_\_\_\_  
 Model Specified \_\_\_\_\_ Quantity \_\_\_\_\_  
 Customer/Wholesaler \_\_\_\_\_  
 Contractor \_\_\_\_\_  
 Architect/Engineer \_\_\_\_\_



**ADA Compliant**

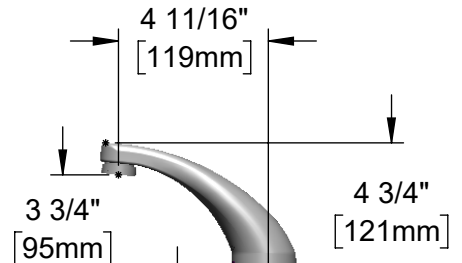


Polish Chrome Plated Solid Cast Brass Spout w/ B-0199-09-N05 0.5 GPM [1.9 LPM] Vandal Resistant Non Aerated Spray Device & Key

24" [610mm] Sensor Cable

1/2" NPSM x 1/4" NPSM 18" [457mm] Flexible Stainless Steel Hose

Mounting Surface



1 3/8" [35mm] Maximum Thickness

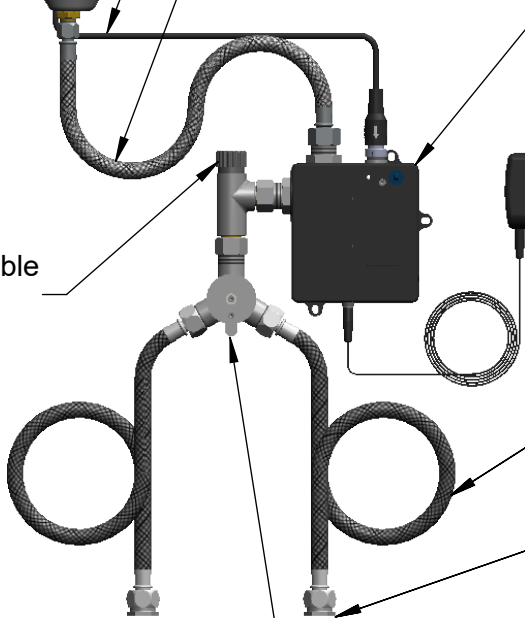
4" x 4 3/8" x 2 3/16" Deep [102mm x 111mm x 56mm] Control Module Box (Black) w/ Water Resistant Connections. AC or DC Operated w/ (4) AA Batteries

100-240 VAC Adapter (EU) w/ 71" [1800mm] Power Cord. (Remove Rubber Plug in Module to Connect)

Removable Strainer

(2) 1/2" NPSM Female x 16" [406mm] Flexible Supply Hoses

(2) 1/2" NPSM Male x G3/8 Female Adapter w/ Sealing Washer



Mechanical Mixing Valve w/ Check Valves

Rough-in Requirement:  $\varnothing$  1 1/4" [32mm] Mounting Hole

Model Number

**5EF-EU1DS-VF05**

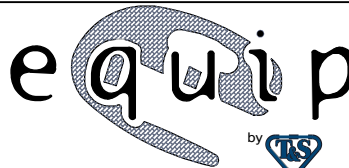
Product Specifications:

equip EU Sensor Faucet: Deck Mount Spout, VR 0.5 GPM Non-Aerated Spray Device, EU Transformer, AC-DC Control Module, Mechanical Mixing Valve w/ Integral Check Valves & Flexible Supply Hoses

Product Compliance:

ASME A112.18.1 / CSA B125.1  
 NSF 61 - Section 9  
 NSF 372 (Low Lead Content)  
 ANSI A117.1 (ADA)  
 UL 1951

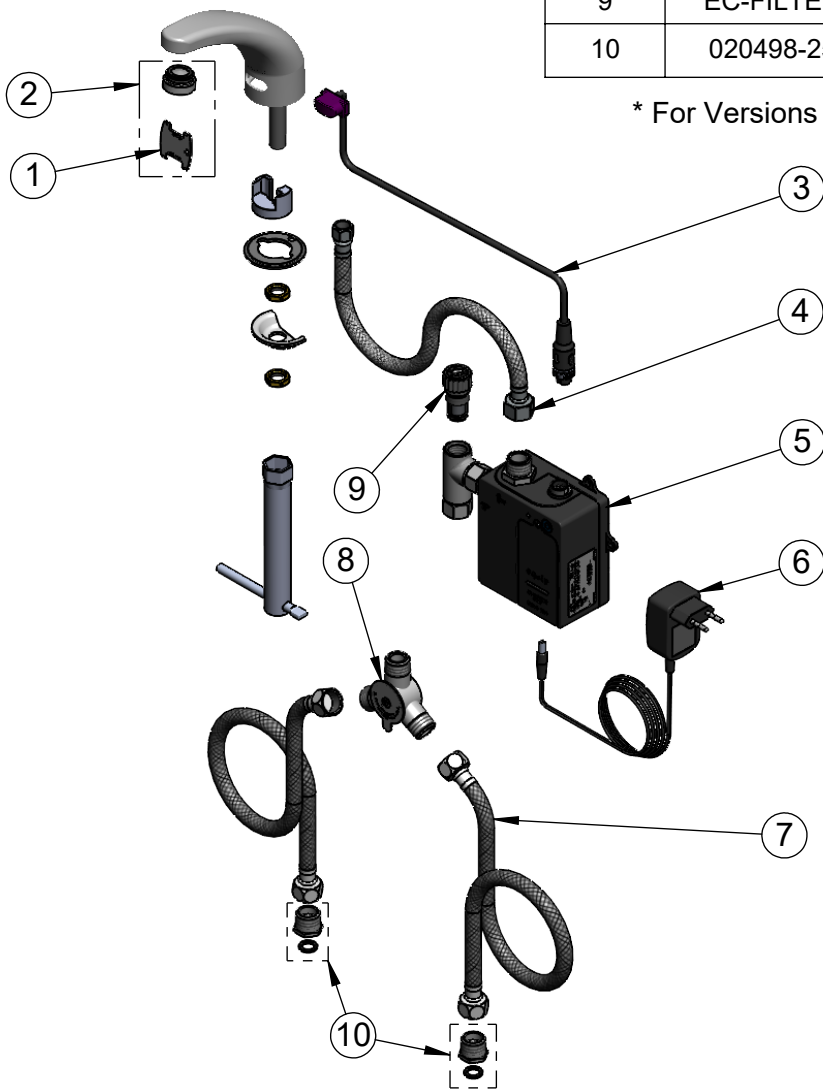
equip  
 Foodservice  
 Accessories



2 Saddleback Cove, P.O. Box 1088  
 Travelers Rest, South Carolina 29690  
 Phone: 800.891.4808 Fax: 800.868.0084  
 equip.tsbrass.com

ITEM NO.	SALES NO.	DESCRIPTION
1	015425-45	Vandal Resistant Key
2	B-0199-09-N05	VR 0.5 GPM Non-Aerated Spray Device, 15/16-27 UN Male w/ Key
* 3	5EF-0004C	Sensor Cable w/Curved Lens
4	016297-45	Inlet Hose, Faucet, 1/2" NPSM Female x 1/4" NPSM Female
* 5	5EF-0001C	equip Control Module (Black)
* 6	5EF-0011C	AC Adapter - EU Type Plug
7	016167-45	Supply Hose, 1/2" NPSM Female x 1/2" NPSM Female
8	5EF-0006	Temperature Mixing Valve
9	EC-FILTER	Replacement Filter
10	020498-25	Hex Bushing, G3/8 Female x 1/2" NPSM Male w/ Sealing Washer

\* For Versions Prior to 2024, Consult with Customer Service



Model Number

**5EF-EU1DS-VF05**

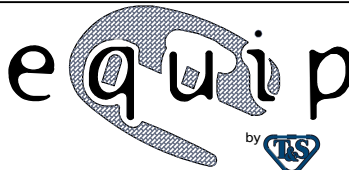
Product Specifications:

equip EU Sensor Faucet: Deck Mount Spout, VR 0.5 GPM Non-Aerated Spray Device, EU Transformer, AC-DC Control Module, Mechanical Mixing Valve w/ Integral Check Valves & Flexible Supply Hoses

Product Compliance:

ASME A112.18.1 / CSA B125.1  
NSF 61 - Section 9  
NSF 372 (Low Lead Content)  
ANSI A117.1 (ADA)  
UL 1951

equip  
Foodservice  
Accessories



2 Saddleback Cove, P.O. Box 1088  
Travelers Rest, South Carolina 29690  
Phone: 800.891.4808 Fax: 800.868.0084  
equip.tsbrass.com