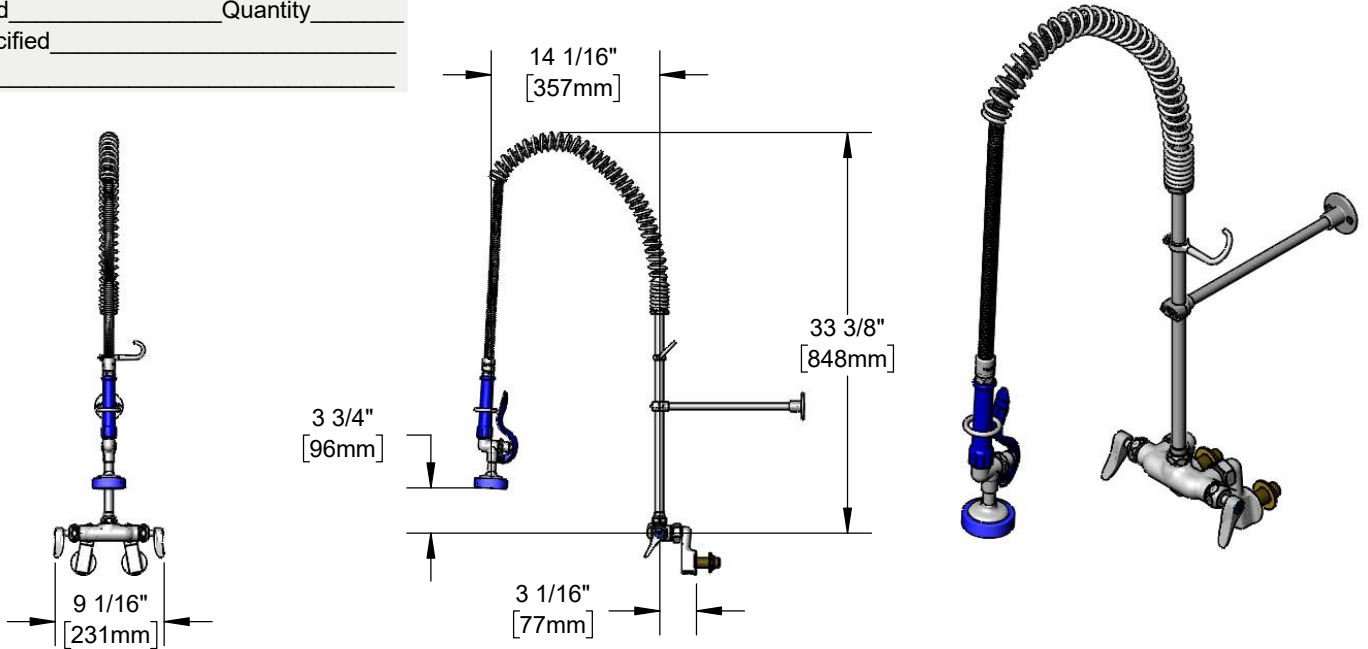




Architect/Engineering Specifications:

Adjustable inlet wall mount mixing faucet with polished chrome plated brass body, add-on faucet with ceramic cartridge and check valve, 12" swing nozzle with stream regulator outlet, 18" riser, 44" flexible stainless steel hose with heat resistant handle, high flow spray valve, ceramic cartridges with check valves, lever handles, 1/2" NPT female adjustable arm inlets with 1/2" BSPT male supply nipples, 12" adjustable wall bracket, spray valve holder, and overhead spring. Certified to ASME A112.18.1/CSA B125.1, NSF 61-Section 9 and NSF 372.

Job Name _____
 Model Specified _____ Quantity _____
 Variations Specified _____
 Date _____



Features & Benefits:

- Adjustable inlet wall mount mixing faucet w/ polished chrome plated brass body
- 18" riser
- 44" flexible stainless steel hose w/ heat resistant blue handle and hold down ring
- High flow spray valve
- Quarter-turn Cerama cartridges with check valves to prevent cross flow of water
- Lever handles w/ color coded indexes
- 1/2" NPT female adjustable arm inlets with Ø 2" flanges
- 1/2" BSPT male supply kit
- Adjustable centers from 2 1/4" to 8 1/4" above or below centerline
- 12" adjustable wall bracket
- Material: Polished chrome plated brass body, riser & spray valve body, stainless steel hose & chrome plated metal handles

Product Compliance:

- ASME A112.18.1 / CSA B125.1
- NSF 61 - Section 9
- NSF 372 (Low Lead Content)
- 2019 DOE PRSV Non-Compliant
- Product Not Designed/Intended for Commercial Warewashing in North America



Warranty: Three Year (Limited)

- Cerama Cartridge: Lifetime (Limited)



Performance Data:

- Pressure: 20 - 125 psi
- Temperature: 40 °F - 140 °F
- Flow Rate: 4.10 GPM @ 60 psi

Optional Handles

- 4" Wrist Action
- Lever (Standard)
- 4-Arm

Optional Pre-Rinse Spray Valves

- B-0107 (1.15 GPM)
- B-0107-C (0.65 GPM)
- B-0107-J (1.07 GPM)
- B-0108 (1.07 GPM)
- B-0108-C (0.65 GPM)

GPM	Aerated
0.35	N/A
0.5	N/A
1.0	<input type="checkbox"/> B-0199-01-F10
1.2	<input type="checkbox"/> B-0199-01-F12
1.5	<input type="checkbox"/> B-0199-01-WS
2.2	<input type="checkbox"/> B-0199-01

Optional Outlets (Series 1 / VR Series 6)

Non-Aerated (Laminar)

- B-0199-01-N035
- B-0199-01-N05
- N/A
- B-0199-01-LF12
- B-0199-29
- B-0199-21

VR Aerated

- N/A
- N/A
- B-0199-06-F10
- B-0199-06-F12
- B-0199-06-WS
- B-0199-06

VR Non-Aerated (VR Laminar)

- B-0199-06-N035
- B-0199-06-N05
- N/A
- B-0199-06-LF12
- B-0199-29VR
- B-0199-21-VRF

Optional Cartridges With Checks

- Quarter-Turn Cerama w/ Check Valve (Standard)
- Quarter-Turn Eterna w/ Spring Check

