



**ADA Compliant**

*This Space for Architect/Engineer Approval*

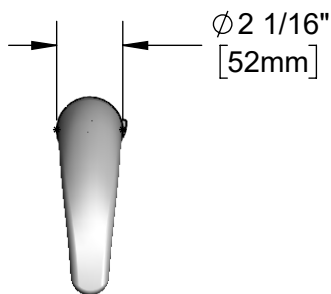
Job Name \_\_\_\_\_ Date \_\_\_\_\_

Model Specified \_\_\_\_\_ Quantity \_\_\_\_\_

Customer/Wholesaler \_\_\_\_\_

Contractor \_\_\_\_\_

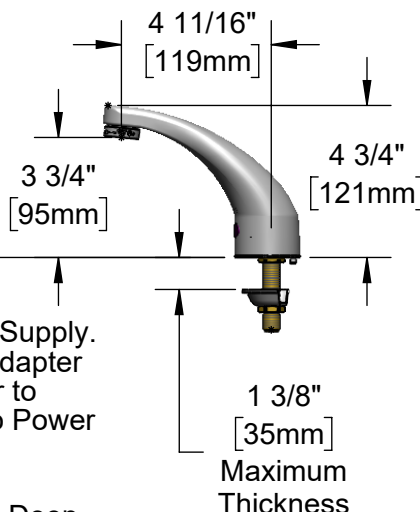
Architect/Engineer \_\_\_\_\_



Polished Chrome Plated  
Solid Brass Cast Spout w/  
B-0199-09-N05  
VR 0.5 GPM [1.9 LPM]  
Non-Aerated Spray Device  
& Key

24" [610mm]  
Sensor Cable

Mounting  
Surface



Hydro-Generator Power Supply.  
No AA Batteries or AC Adapter  
Needed to Supply Power to  
Faucet. (Connect Plug to Power  
Port)

1/2" NPSM x  
1/4" NPSM  
18" [457mm]  
Flexible  
Stainless Steel  
Hose

Removable  
Strainer

4" x 4 3/8" x 2 3/16" Deep  
[102mm x 111mm x 56mm]  
Control Module Box  
(Black) w/ Water Resistant  
Connections. AC or DC  
Operated w/ (4) AA Batteries

5EF-0011C  
EU Transformer  
100-240 VAC Adapter  
w/ 72" [1830mm] Power Cord

(2) 1/2" NPSM Female x  
16" [406mm] Flexible  
Stainless Steel Supply Hoses  
(Compatible w/ G1/2 Threads)

1/2" NPSM Male x  
G3/8 Female Adapters  
w/ Sealing Washers

Mechanical Mixing  
Valve w/ Check Valves

Rough-In Requirement:  
Ø 1" [25mm] Mounting Hole

Model Number

**5EF-EU1DS-VF05-HG**

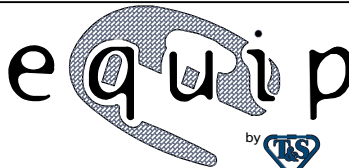
Product Specifications:

Electronic Faucet: Cast Brass Single Hole Deck Mount, VR 0.5 GPM Non-Aerated Spray Device, Hydro-Generator, AC-DC Control Module, Temperature Control Mixing Valve w/ Check Valves, Flexible Supply Hoses & G3/8 Female Inlet Adapters

Product Compliance:

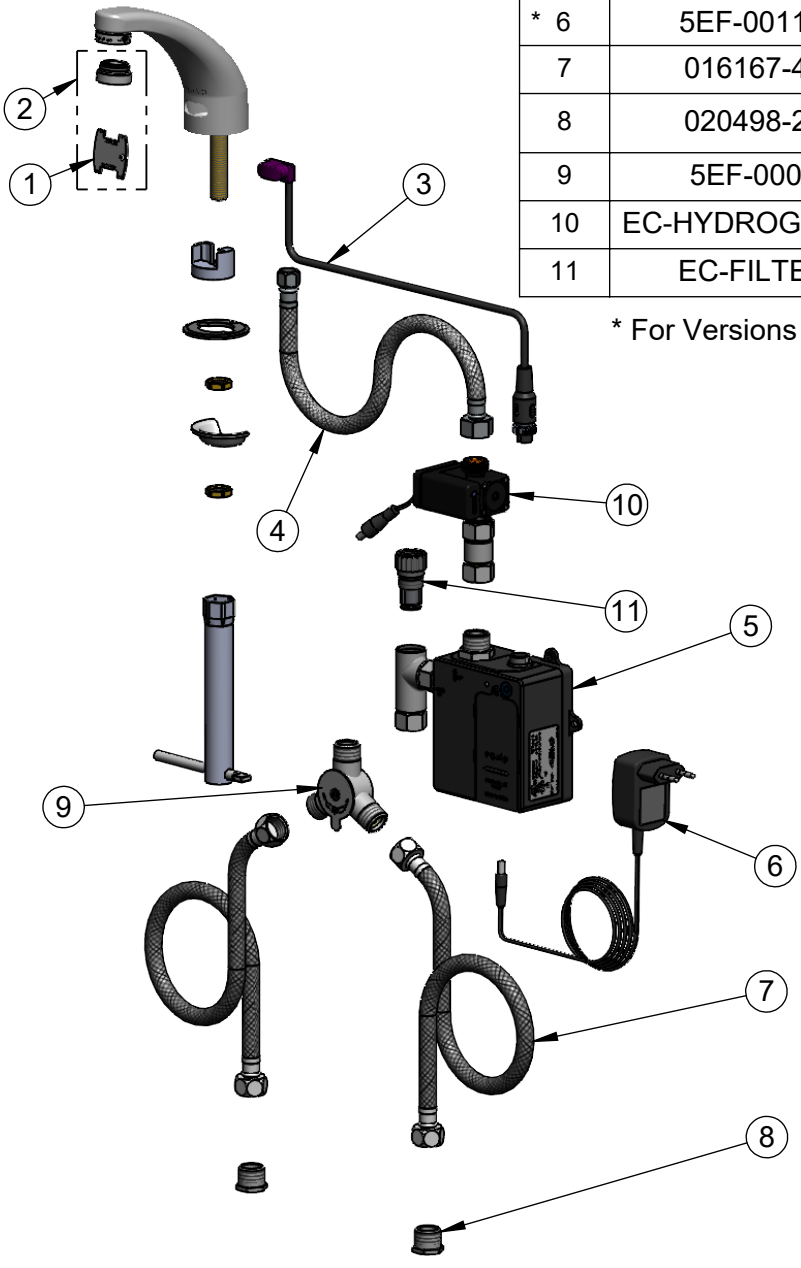
ASME A112.18.1 / CSA B125.1  
NSF 61 - Section 9  
NSF 372 (Low Lead Content)  
ANSI A117.1 (ADA)  
UL 1951

equip  
Foodservice  
Accessories



2 Saddleback Cove, P.O. Box 1088  
Travelers Rest, South Carolina 29690  
Phone: 800.891.4808 Fax: 800.868.0084  
equip.tsbrass.com

| ITEM NO. | SALES NO.      | DESCRIPTION  |
|----------|----------------|--|
| 1        | 015425-45      | Vandal Resistant Key   |
| 2        | B-0199-09-N05  | VR 0.5 GPM Non-Aerated Spray Device, 15/16-27 UN Male w/ Key |
| * 3      | 5EF-0004C      | Sensor Cable w/Curved Lens                                   |
| 4        | 016297-45      | Inlet Hose, Faucet, 1/2" NPSM Female x 1/4" NPSM Female      |
| * 5      | 5EF-0001C      | equip Sensor Faucet - Control Module                         |
| * 6      | 5EF-0011C      | EU Transformer, 100-240 VAC                                  |
| 7        | 016167-45      | Supply Hose, 1/2" NPSM Female Ends                           |
| 8        | 020498-25      | Hex Bushing, G3/8 Female x 1/2" NPSM Male w/ Sealing Washer  |
| 9        | 5EF-0006       | Mechanical Mixing Valve                                      |
| 10       | EC-HYDROGEN-LF | Low Flow Hydrogenerator                                      |
| 11       | EC-FILTER      | Replacement Filter   |



\* For Versions Prior to 2024, Consult with Customer Service

Model Number  
**5EF-EU1DS-VF05-HG**

Product Compliance:  
ASME A112.18.1 / CSA B125.1  
NSF 61 - Section 9  
NSF 372 (Low Lead Content)  
ANSI A117.1 (ADA)  
UL 1951

Product Specifications:  
Electronic Faucet: Cast Brass Single Hole Deck Mount, VR 0.5 GPM Non-Aerated Spray Device, Hydro-Generator, AC-DC Control Module, Temperature Control Mixing Valve w/ Check Valves, Flexible Supply Hoses & G3/8 Female Inlet Adapters

equip  
Foodservice  
Accessories



2 Saddleback Cove, P.O. Box 1088  
Travelers Rest, South Carolina 29690  
Phone: 800.891.4808 Fax: 800.868.0084  
equip.tsbrass.com