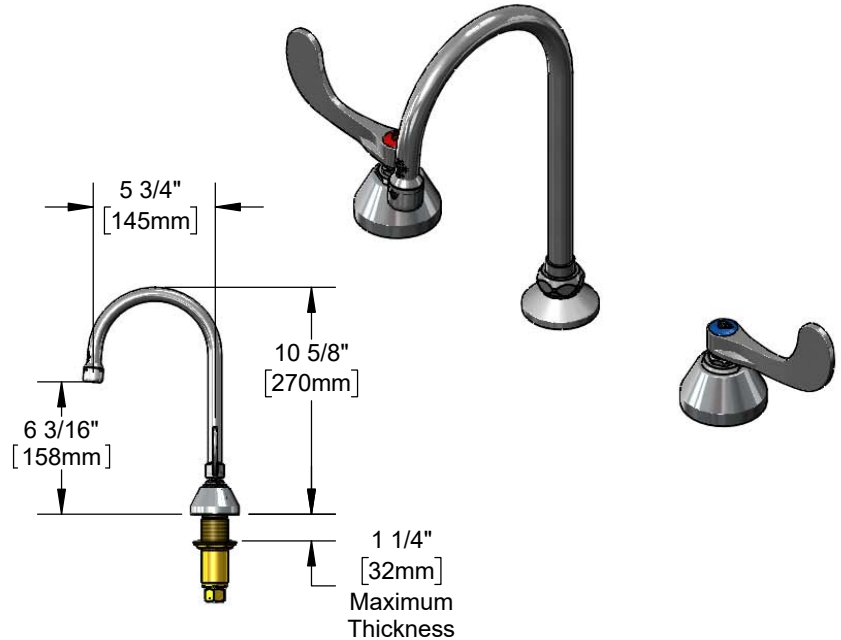
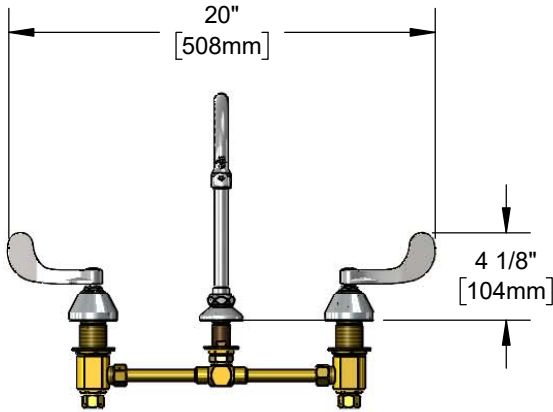




#### Architect/Engineering Specifications:

12" concealed deck mount mixing faucet, 5 3/4" swivel/rigid gooseneck with 2.2 GPM aerator, compression cartridges with spring checks, 4" wrist action handles, chrome plated escutcheons and 1/2" NPT male inlets with coupling nuts. Certified to ASME A112.18.1/CSA B125.1, NSF 61-Section 9 and NSF 372. Meets ADA ANSI/ICC A117.1 requirements.

Job Name \_\_\_\_\_  
 Model Specified \_\_\_\_\_ Quantity \_\_\_\_\_  
 Variations Specified \_\_\_\_\_  
 Date \_\_\_\_\_



#### Features & Benefits:

- 12" concealed deck mount mixing faucet w/ brass body
- 5 3/4" swivel/rigid gooseneck
- Lock washer provided for rigid application
- 2.2 GPM aerator, Series 1 (B-0199-01)
- Quarter-turn Eterna compression cartridges w/ spring checks to prevent the cross flow of water
- 4" wrist action handles w/ color coded indexes
- 1/2" NPT male inlets w/ coupling nuts
- Material: Brass body, polished chrome plated brass tubular spout and chrome plated metal handles & escutcheons

#### Product Compliance:

- ASME A112.18.1 / CSA B125.1
- NSF 61 - Section 9
- NSF 372 (Low Lead Content)
- ANSI A117.1 (ADA)



**Warranty:** One Year (Limited)

#### Performance Data:

- Pressure: 20 - 125 psi
- Temperature: 40 °F - 140 °F
- Flow Rate: 2.2 GPM @ 60 psi



#### Optional Outlets (Series 1 / VR Series 6)

| Aerated  | Non-Aerated (Laminar)  | VR Aerated  | VR Non-Aerated (VR Laminar)  |
|--|--|---|--|
| N/A  | <input type="checkbox"/> B-0199-01-N035                                  | N/A   | <input type="checkbox"/> B-0199-06-N035  |
| N/A  | <input type="checkbox"/> B-0199-01-N05                                   | N/A   | <input type="checkbox"/> B-0199-06-N05   |
| <input type="checkbox"/> B-0199-01-F10         | N/A  | <input type="checkbox"/> B-0199-06-F10                                      | N/A  |
| <input type="checkbox"/> B-0199-01-F12         | <input type="checkbox"/> B-0199-01-LF12                                  | <input type="checkbox"/> B-0199-06-F12                                      | <input type="checkbox"/> B-0199-06-LF12  |
| <input type="checkbox"/> B-0199-01-WS Standard | <input type="checkbox"/> B-0199-29<br><input type="checkbox"/> B-0199-21 | <input type="checkbox"/> B-0199-06-WS<br><input type="checkbox"/> B-0199-06 | <input type="checkbox"/> B-0199-29VR<br><input type="checkbox"/> B-0199-21-VRF |

#### Optional Handles

- 4" Wrist Action (Standard)
- Lever
- 4-Arm

#### Optional Cartridges

- Quarter-Turn Cerama w/ Check Valve
- Quarter-Turn Eterna w/ Spring Check (Standard)
- Push Button Metering
- Pivot Action Metering
- Wrist Action Metering

