



# Foot Pedal Valves

## B-0508-LKS

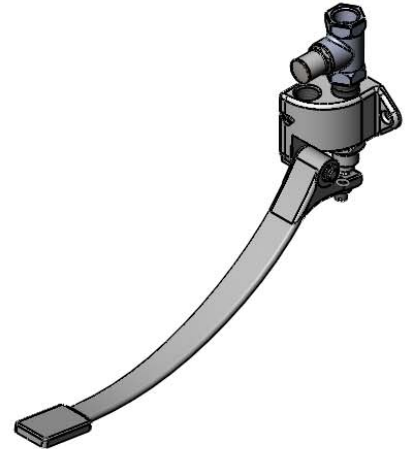
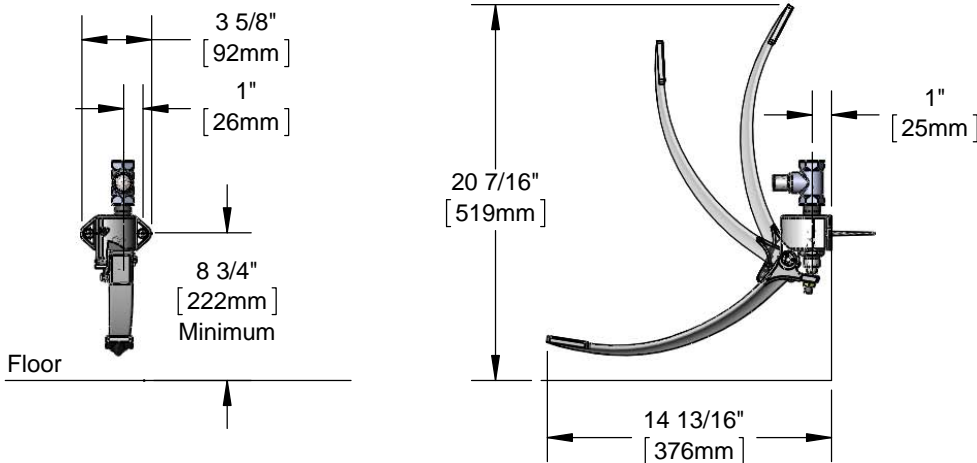
TAG:

### Single Pedal Valve

#### Architect/Engineering Specifications:

Wall mounted single pedal valve with chrome plated solid brass body, adjustable height aluminum pedal, self-closing valve, 1/2" NPT female loose key straight stop inlet, 1/2" NPT female outlet and mounting screws. Certified to ASME A112.18.1/CSA B125.1, NSF 61-Section 9 and NSF 372.

Job Name \_\_\_\_\_  
 Model Specified \_\_\_\_\_ Quantity \_\_\_\_\_  
 Variations Specified \_\_\_\_\_  
 Date \_\_\_\_\_



#### Features & Benefits:

- Wall mounted single pedal valve
- Adjustable height blank pedal
- Pedal flips up for floor cleaning
- Self-closing valve
- 1/2" NPT female loose key straight stop inlet
- 1/2" NPT female outlet
- Includes mounting screws
- Material: Polished chrome brass valve and stop bodies, satin finish aluminum pedal

#### Product Compliance:

- ASME A112.18.1 / CSA B125.1
- NSF 61 - Section 9
- NSF 372 (Low Lead Content)



**Warranty:** One Year (Limited)

#### Performance Data:

- Pressure: 20 - 125 psi
- Temperature: 40°F - 140°F
- Flow Rate: 4.92 GPM @ 60 psi

#### Optional Cartridges

- Metering



**T&S BRASS AND BRONZE WORKS, INC.**



• 2 Saddleback Cove • Travelers Rest, SC 29690  
 Ph 800-476-4103 • Fax 864-834-3518  
 • Simi Valley, CA • Ph 800-423-0150 • www.tsbrass.com

Date: 03/17/15