



**T&S BRASS AND BRONZE WORKS, INC.**  
 2 Saddleback Cove / P.O. Box 1088  
 Travelers Rest, SC 29690

Model No.  
**010386-45VR**

Item No.

Travelers Rest, SC: 800-476-4103 • Simi Valley, CA: 800-423-0150 • Fax: 864-834-3518 • www.tsbrass.com

This Space for Architect/Engineer Approval

Job Name \_\_\_\_\_ Date \_\_\_\_\_

Model Specified \_\_\_\_\_ Quantity \_\_\_\_\_

Customer/Wholesaler \_\_\_\_\_

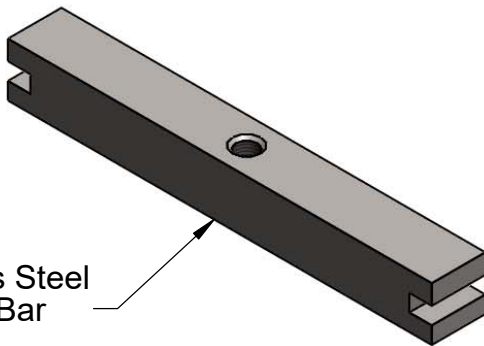
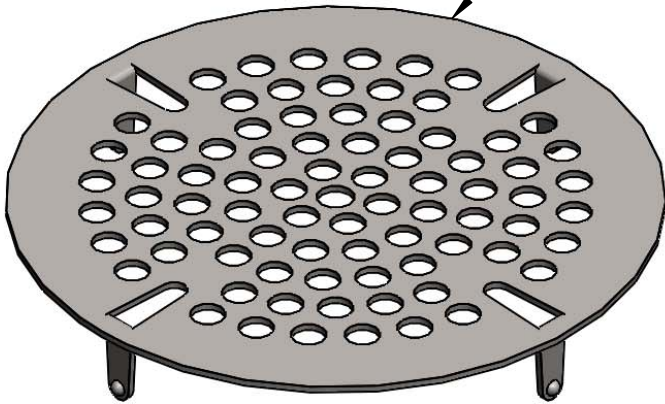
Contractor \_\_\_\_\_

Architect/Engineer \_\_\_\_\_

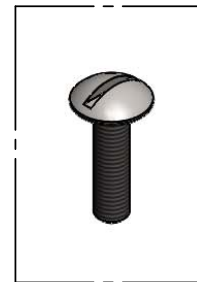


Stainless Steel Hex  
 Socket Head Screw  
 Provided For Vandal  
 Resistant Feature  
 (Requires 1/8" Hex Key)

Stainless Steel  
 Flat Strainer for  
 3 7/16" Waste Drain



Stainless Steel  
 Locking Bar



Optional Slotted  
 Head Screw also  
 Included

Product Specifications:  
 Vandal Resistant Locking Flat Strainer for 3 7/16" Waste Drain

Product Compliance: