



T&S BRASS AND BRONZE WORKS, INC.

2 Saddleback Cove / P.O. Box 1088
Travelers Rest, SC 29690

Model No.

B-3990-3X

Item No.

Travelers Rest, SC: 800-476-4103 • Simi Valley, CA: 800-423-0150 • Fax: 864-834-3518 • www.tsbrass.com

This Space for Architect/Engineer Approval

Job Name _____ Date _____

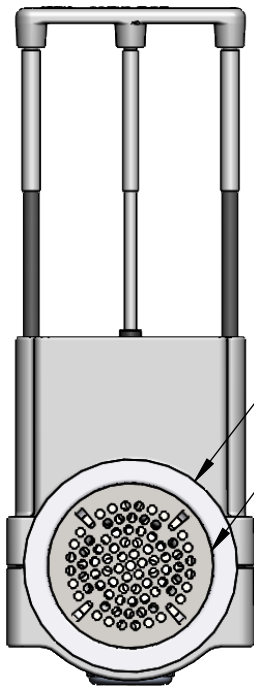
Model Specified _____ Quantity _____

Customer/Wholesaler _____

Contractor _____

Architect/Engineer _____

| Sink Bowl Size (Front to Back) | Recommended Sales Model |
|--------------------------------|-------------------------|
| 18" | B-3990 |
| 20" | B-3990 or B-3990-3X |
| 24" | B-3990-3X |
| 28" | B-3990-5X |



Ø 4 7/16"
[113mm]

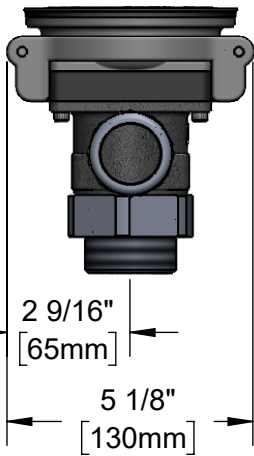
Removable
Snap-in Strainer



2 1/2"
[63mm]

8 3/4" [222mm] Closed
11 5/8" [295mm] Open

1 5/8"
[41mm]



3"
[76mm]

5 1/2"
[140mm]

2 9/16"
[65mm]

5 1/8"
[130mm]

Adapter Converts 2" NPT Male to
1 1/2" NPT Male. Remove
Adapter When 2" NPT Male
Thread is Needed.

PATENT PENDING

Product Specifications:
Modular Waste Drain Valve w/ Pull Handle, 3 1/2" Sink Opening, 2" NPT Male Outlet, 1-1/2" NPT Male Adapter & 3" Handle Extension

Product Compliance:
ASME A112.18.2 / CSA B125.2



T&S BRASS AND BRONZE WORKS, INC.

2 Saddleback Cove / P.O. Box 1088
Travelers Rest, SC 29690

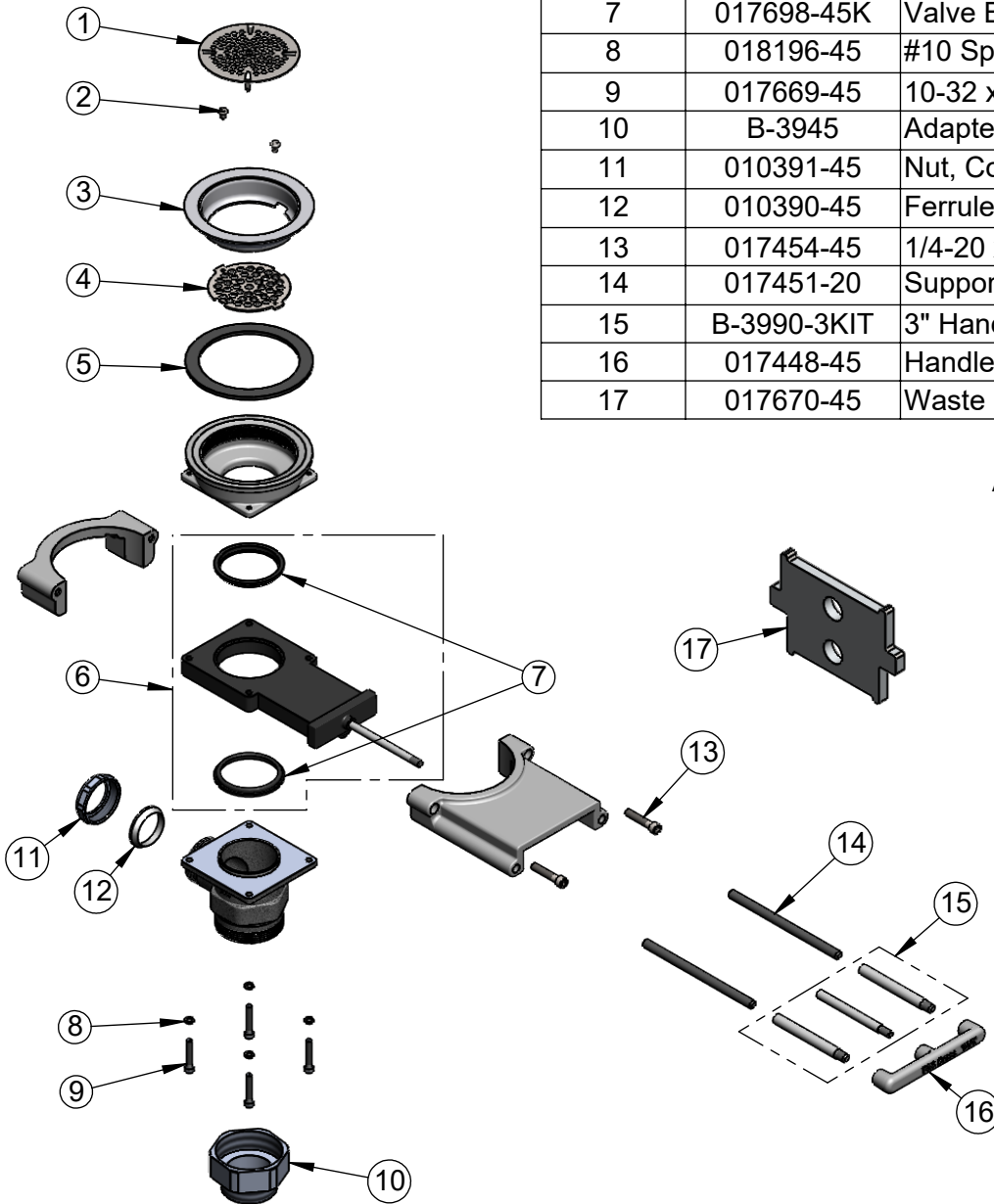
Model No.

B-3990-3X

Item No.

Travelers Rest, SC: 800-476-4103 • Simi Valley, CA: 800-423-0150 • Fax: 864-834-3518 • www.tsbrass.com

| ITEM NO. | SALES NO. | DESCRIPTION |
|----------|-------------|--------------------------------------|
| 1 | 010386-45 | Strainer, 3 1/2" Snap-in Removable |
| 2 | 016654-45 | Vandal Resistant SS Screw |
| 3 | 010384-45 | Flange, 3 1/2" Face |
| 4 | 017694-45 | Guard, 3 1/2" Vandal Resistant Drain |
| 5 | 010382-45 | Gasket, 3 1/2" Face Flange |
| 6 | 017219-45 | Valve Body w/ (2) Seals |
| 7 | 017698-45K | Valve Body Seal Kit, Bag of (2) |
| 8 | 018196-45 | #10 Split Lock Washer |
| 9 | 017669-45 | 10-32 x 1-1/8" SHCS, SS |
| 10 | B-3945 | Adapter, 2" NPT x 1 1/2" NPT |
| 11 | 010391-45 | Nut, Coupling for Twist Drain |
| 12 | 010390-45 | Ferrule, Coupling Nut |
| 13 | 017454-45 | 1/4-20 x 1-1/4 SHCS, SS |
| 14 | 017451-20 | Support Rod |
| 15 | B-3990-3KIT | 3" Handle Extension Kit |
| 16 | 017448-45 | Handle |
| 17 | 017670-45 | Waste Drain Installation Tool |



Available Handle Extension Kits:
B-3990-5KIT (5" Extension)

014734-45
#8 Spanner Bit

012640-45
Waste Drain Overflow Cap
w/ Sealing Washer
(Included)

Product Specifications:

Modular Waste Drain Valve w/ Pull Handle, 3 1/2" Sink Opening, 2" NPT Male Outlet, 1-1/2" NPT Male Adapter & 3" Handle Extension

Product Compliance:

ASME A112.18.2 / CSA B125.2