



T&S BRASS AND BRONZE WORKS, INC.

2 Saddleback Cove / P.O. Box 1088
Travelers Rest, SC 29690

Model No.

B-0325-134X-CR4

Item No.

Travelers Rest, SC: 800-476-4103 • Simi Valley, CA: 800-423-0150 • Fax: 864-834-3518 • www.tsbrass.com



ADA Compliant

This Space for Architect/Engineer Approval

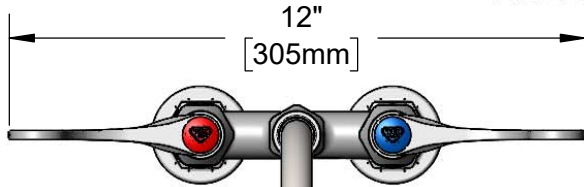
Job Name _____ Date _____

Model Specified _____ Quantity _____

Customer/Wholesaler _____

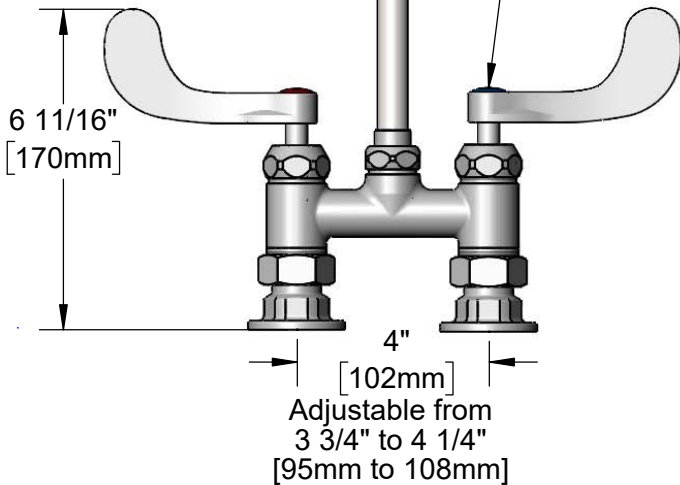
Contractor _____

Architect/Engineer _____



134X Swivel/Rigid Gooseneck w/ Stream Regulator Outlet. Rigid Conversion Requires 014200-45 Lock Washer (Included)

Quarter-Turn Cerama Cartridges w/ Check Valves & 4" Wrist Action Handles w/ Color Coded Indexes



Product Specifications:

4" Deck Mount Mixing Faucet w/ Quarter-Turn Cerama Cartridges w/ Check Valves, 4" Wrist Action Handles, 7 3/4" Swivel/Rigid Gooseneck w/ Stream Regulator Outlet & 1/2" NPT Female Inlets

Product Compliance:

ASME A112.18.1 / CSA B125.1
NSF 61 - Section 9
NSF 372 (Low Lead Content)
ANSI A117.1 (ADA)

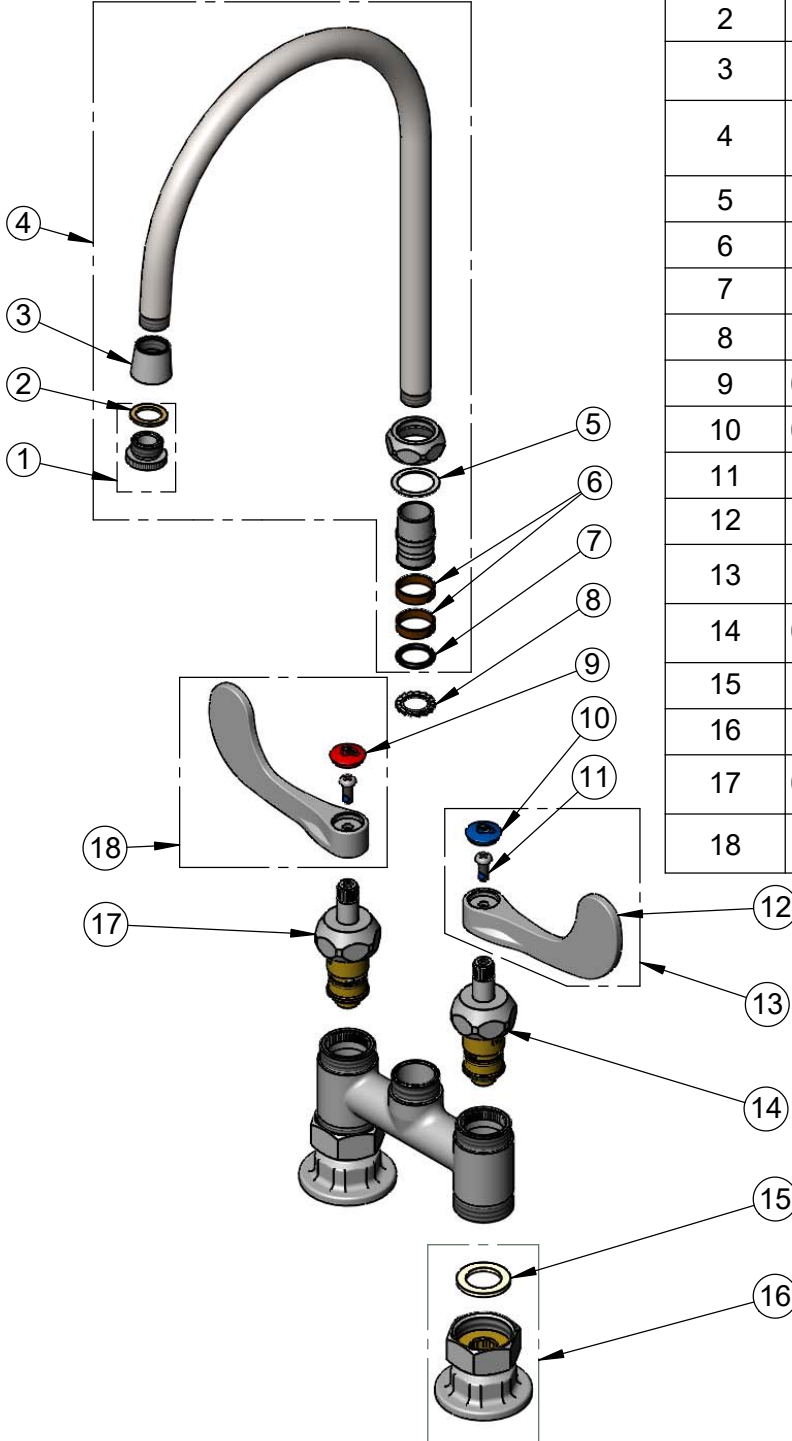


T&S BRASS AND BRONZE WORKS, INC.
 2 Saddleback Cove / P.O. Box 1088
 Travelers Rest, SC 29690

Model No.
B-0325-134X-CR4

Item No.

Travelers Rest, SC: 800-476-4103 • Simi Valley, CA: 800-423-0150 • Fax: 864-834-3518 • www.tsbrass.com



| ITEM NO. | SALES NO. | DESCRIPTION |
|----------|-------------|--|
| 1 | B-LT | Stream Regulator Outlet |
| 2 | 001043-45 | Washer |
| 3 | 020205-40 | Adapter, 5/8-27 UN x 3/8-18 NPSM |
| 4 | 134X | 7 3/4" Swivel/Rigid Gooseneck w/ Stream Regulator Outlet |
| 5 | 009538-45 | Swivel Washer |
| 6 | 011429-45 | Swivel Sleeves (2) |
| 7 | 001074-45 | O-Ring |
| 8 | 014200-45 | Star Washer, Anti-Rotation |
| 9 | 001193-19NS | Red Button Index, Press-in |
| 10 | 018506-19NS | Blue Button Index, Press-in |
| 11 | 000925-45 | Lab Handle Screw |
| 12 | B-WH4-NS | Wrist Action Handle - New Style |
| 13 | B-WH4C-NS | Wrist Action Handle, Blue Index & Screw |
| 14 | 012395-25NS | Quarter-Turn Cerama Cartridge w/ Check Valve, LTC |
| 15 | 001019-45 | Coupling Nut Washer |
| 16 | 00AA | 1/2" NPT Female Eccentric Flange |
| 17 | 012394-25NS | Quarter-Turn Cerama Cartridge w/ Check Valve, RTC |
| 18 | B-WH4H-NS | Wrist Action Handle, Red Index & Screw |

Product Specifications:
 4" Deck Mount Mixing Faucet w/ Quarter-Turn Cerama Cartridges w/ Check Valves, 4" Wrist Action Handles, 7 3/4" Swivel/Rigid Gooseneck w/ Stream Regulator Outlet & 1/2" NPT Female Inlets

Product Compliance:
 ASME A112.18.1 / CSA B125.1
 NSF 61 - Section 9
 NSF 372 (Low Lead Content)
 ANSI A117.1 (ADA)