



# T&S BRASS AND BRONZE WORKS, INC.

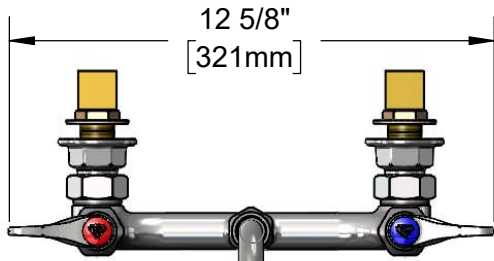
2 Saddleback Cove / P.O. Box 1088  
Travelers Rest, SC 29690

Model No.

**B-0231-V22-CREK**

Item No.

Travelers Rest, SC: 800-476-4103 • Simi Valley, CA: 800-423-0150 • Fax: 864-834-3518 • www.tsbrass.com



12 5/8"  
[321mm]



**ADA Compliant**

This Space for Architect/Engineer Approval

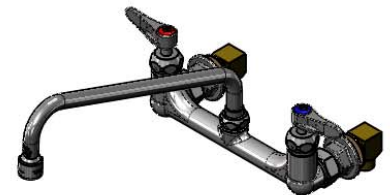
Job Name \_\_\_\_\_ Date \_\_\_\_\_

Model Specified \_\_\_\_\_ Quantity \_\_\_\_\_

Customer/Wholesaler \_\_\_\_\_

Contractor \_\_\_\_\_

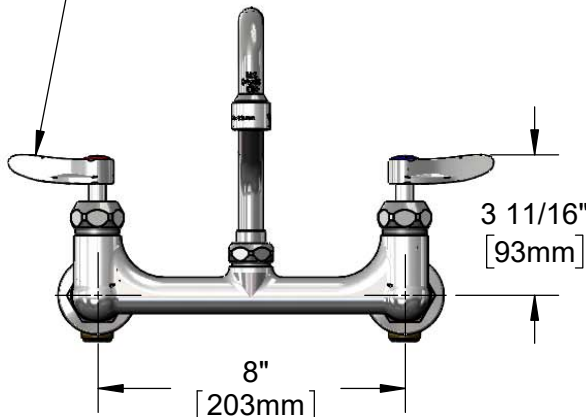
Architect/Engineer \_\_\_\_\_



12" Swing Nozzle w/  
B-0199-06  
VR 2.2 GPM Aerator  
Converts to Rigid w/  
014200-45  
Lock Washer (Included).

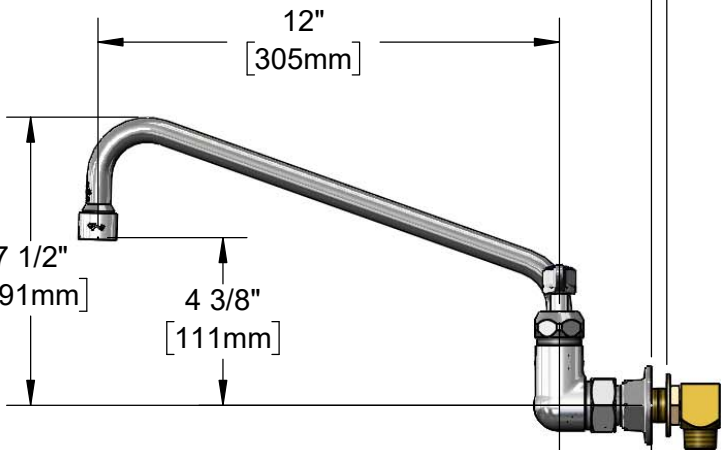
3/8"  
[10mm]  
Maximum  
Thickness

Quarter-Turn Cerama Cartridges  
w/ Check Valves &  
Lever Handles w/  
Color Coded Indexes



3 11/16"  
[93mm]

8"  
[203mm]  
Adjustable From  
7 3/4" to 8 1/4"  
[197mm to 210mm]



12"  
[305mm]

7 1/2"  
[191mm]

4 3/8"  
[111mm]

Mounting Surface

2 3/8"  
[61mm]

(2) B-0230-K  
Short El Installation Kit  
w/ 1/2" NPT Male Inlets

Rough-In Requirement:  
(2) 1" [25mm] Mounting Holes

### Product Specifications:

8" Wall Mount Base Faucet, Quarter-Turn Cerama Cartridges w/ Check Valves, 12" Swing Nozzle w/ VR 2.2 GPM Aerator, Lever Handles, 1/2" NPT Female Wall Flanges & (2) Short Elbow Installation Kit w/ 1/2" NPT Male Inlets

### Product Compliance:

ASME A112.18.1 / CSA B125.1  
NSF 61 - Section 9  
NSF 372 (Low Lead Content)  
ANSI A117.1 (ADA)



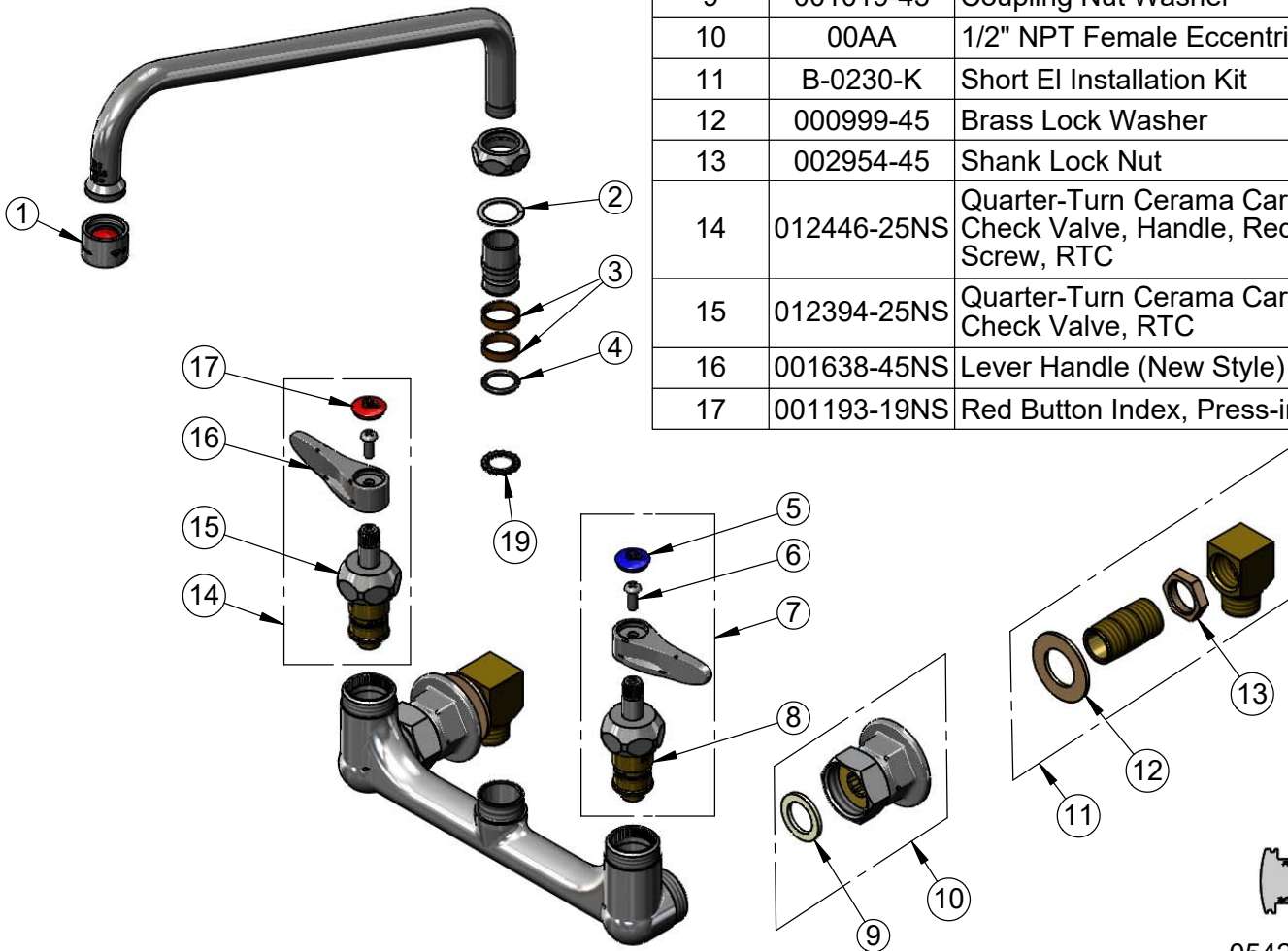
**T&S BRASS AND BRONZE WORKS, INC.**  
 2 Saddleback Cove / P.O. Box 1088  
 Travelers Rest, SC 29690

Model No.  
**B-0231-V22-CREK**

Item No.

Travelers Rest, SC: 800-476-4103 • Simi Valley, CA: 800-423-0150 • Fax: 864-834-3518 • www.tsbrass.com

ITEM NO.	SALES NO.	DESCRIPTION
1	B-0199-06	VR 2.2 GPM Aerator w/ Key
2	009538-45	Swivel Washer
3	011429-45	Swivel Sleeves (2)
4	001074-45	O-Ring
5	018506-19NS	Blue Button Index, Press-in
6	000925-45	Lab Handle Screw
7	012447-25NS	Quarter-Turn Cerama Cartridge w/ Check Valve, Handle, Blue Index & Screw, LTC
8	012395-25NS	Quarter-Turn Cerama Cartridge w/ Check Valve, LTC
9	001019-45	Coupling Nut Washer
10	00AA	1/2" NPT Female Eccentric Flange
11	B-0230-K	Short EI Installation Kit
12	000999-45	Brass Lock Washer
13	002954-45	Shank Lock Nut
14	012446-25NS	Quarter-Turn Cerama Cartridge w/ Check Valve, Handle, Red Index & Screw, RTC
15	012394-25NS	Quarter-Turn Cerama Cartridge w/ Check Valve, RTC
16	001638-45NS	Lever Handle (New Style)
17	001193-19NS	Red Button Index, Press-in



05425-45  
 Vandal Resistant Key

**Product Specifications:**

8" Wall Mount Base Faucet, Quarter-Turn Cerama Cartridges w/ Check Valves, 12" Swing Nozzle w/ VR 2.2 GPM Aerator, Lever Handles, 1/2" NPT Female Wall Flanges & (2) Short Elbow Installation Kit w/ 1/2" NPT Male Inlets

**Product Compliance:**

ASME A112.18.1 / CSA B125.1  
 NSF 61 - Section 9  
 NSF 372 (Low Lead Content)  
 ANSI A117.1 (ADA)