



**T&S BRASS AND BRONZE WORKS, INC.**  
 2 Saddleback Cove / P.O. Box 1088  
 Travelers Rest, SC 29690

Model No.

**EB-0024-H**

Item No.

Travelers Rest, SC: 800-476-4103 • Simi Valley, CA: 800-423-0150 • Fax: 864-834-3518 • www.tsbrass.com

This Space for Architect/Engineer Approval

Job Name \_\_\_\_\_ Date \_\_\_\_\_

Model Specified \_\_\_\_\_ Quantity \_\_\_\_\_

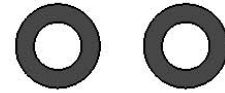
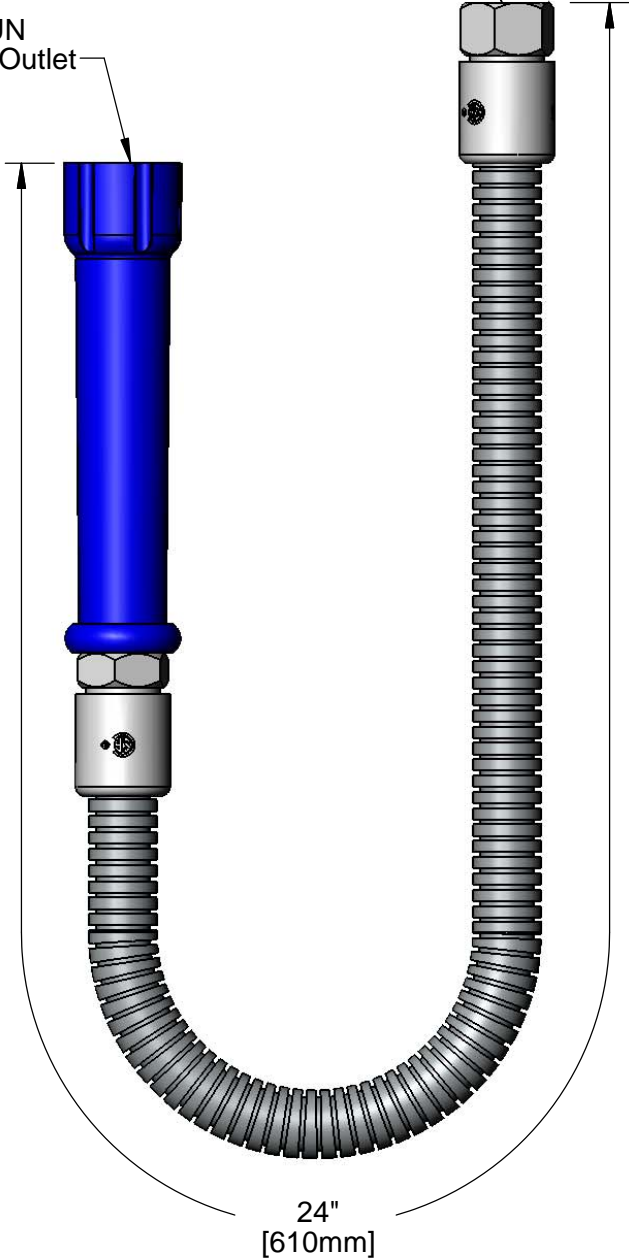
Customer/Wholesaler \_\_\_\_\_

Contractor \_\_\_\_\_

Architect/Engineer \_\_\_\_\_

3/4-14 UN  
Female Outlet

3/4-14 UN  
Female Inlet



(2) 010476-45  
Washers  
(Included)

Product Specifications:  
 24" Flexible Stainless Steel Hose w/ Gray Handle & Polyurethane  
 Inner Hose

Product Compliance:  
 ASME A112.18.1 / CSA B125.1  
 NSF 61 - Section 9  
 NSF 372 (Low Lead Content)



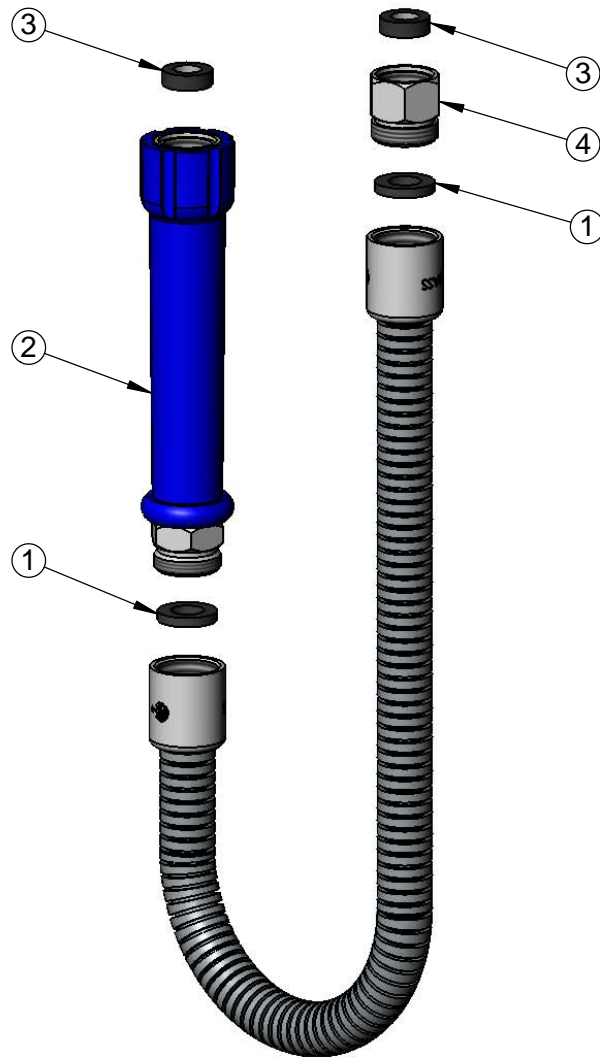
**T&S BRASS AND BRONZE WORKS, INC.**  
2 Saddleback Cove / P.O. Box 1088  
Travelers Rest, SC 29690

Model No.  
**EB-0024-H**

Item No.

Travelers Rest, SC: 800-476-4103 • Simi Valley, CA: 800-423-0150 • Fax: 864-834-3518 • www.tsbrass.com

ITEM NO.	SALES NO.	DESCRIPTION
1	001014-45	Washer, B-0100 Hose Barrel
2	011482-40	Blue Grip Handle
3	010476-45	#27 Washer
4	000729-40	Nut, 7/8-20 x 3/4-14 Female



Product Specifications:  
24" Flexible Stainless Steel Hose w/ Gray Handle & Polyurethane Inner Hose

Product Compliance:  
ASME A112.18.1 / CSA B125.1  
NSF 61 - Section 9  
NSF 372 (Low Lead Content)