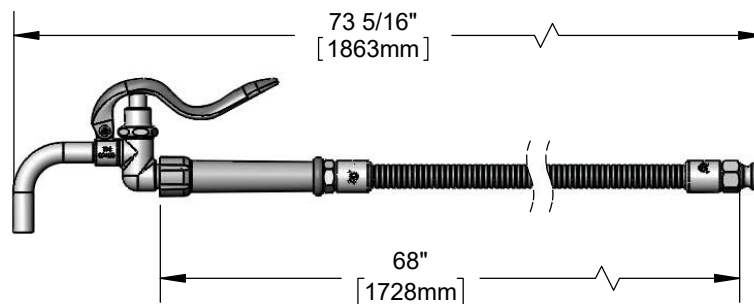
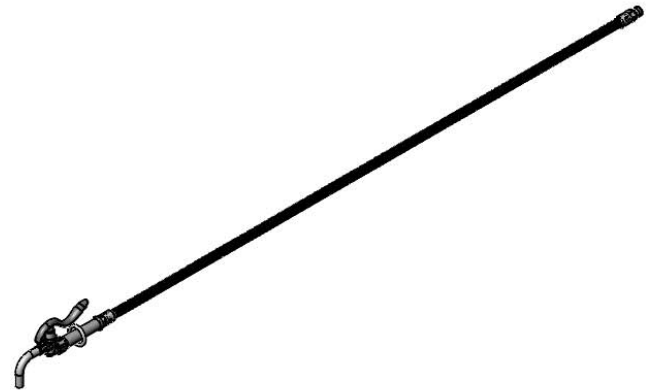




Architect/Engineering Specifications:

Automatic shut-off valve, polished chrome plated brass body, 90° plain end outlet, 68" flexible stainless steel hose, heat resistant handle, wall hook and 1/2" NPT male inlet. Certified to ASME A112.18.1/CSA B125.1, NSF 61-Section 9 and NSF 372.

Job Name _____
 Model Specified _____ Quantity _____
 Variations Specified _____
 Date _____



Features & Benefits:

- Automatic shut-off valve
- 90° plain end outlet
- 68" flexible stainless steel hose w/ heat resistant grey handle and hold down ring
- Wall hook
- 1/2" NPT male inlet
- Material: Polished chrome plated brass body, plain end outlet and stainless steel hose

Product Compliance:

- ASME A112.18.1 / CSA B125.1
- NSF 61 - Section 9
- NSF 372 (Low Lead Content)
- 2019 DOE PRSV Non-Compliant
- Product Not Designed/Intended for Commercial Warewashing in North America



Warranty: One Year (Limited)

Performance Data:

- Pressure: 20 - 125 psi
- Temperature: 40°F - 140°F
- Flow Rate: 5.27 GPM @ 60 psi

