



T&S BRASS AND BRONZE WORKS, INC.

2 Saddleback Cove / P.O. Box 1088
Travelers Rest, SC 29690

Model No.

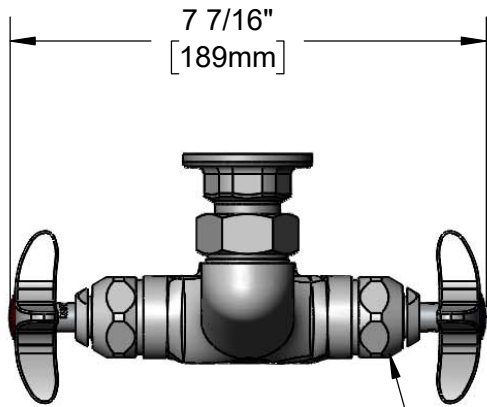
B-0810

Item No.

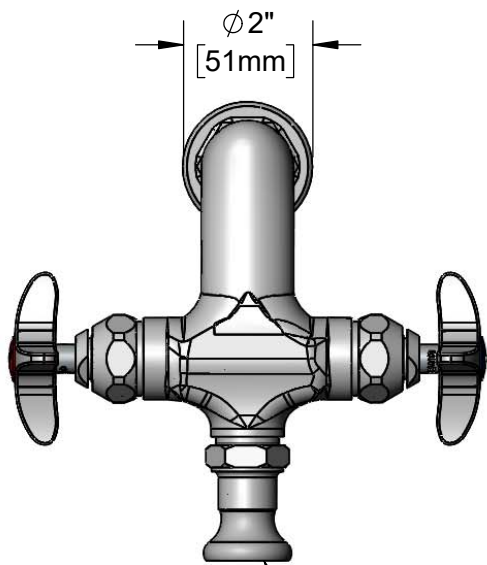
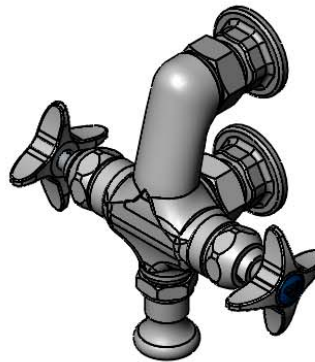
Travelers Rest, SC: 800-476-4103 • Simi Valley, CA: 800-423-0150 • Fax: 864-834-3518 • www.tsbrass.com



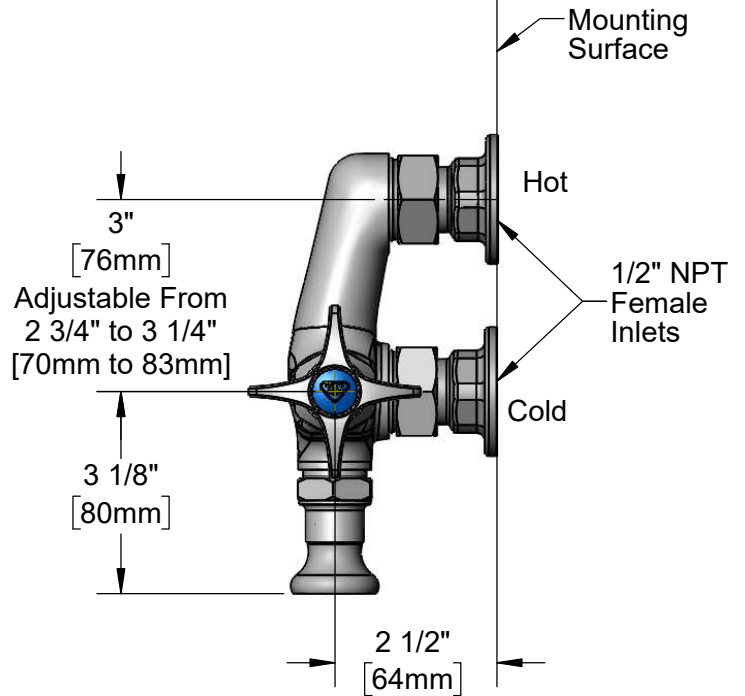
ADA Compliant



Quarter-Turn
Eterna Cartridges w/
Spring Checks &
4-Arm Handles w/
Color Coded Indexes



2.2 GPM
Rosespray Outlet



This Space for Architect/Engineer Approval

Job Name _____ Date _____

Model Specified _____ Quantity _____

Customer/Wholesaler _____

Contractor _____

Architect/Engineer _____

Product Specifications:

Wall Mount Vertical Mixing Faucet w/ Quarter-Turn Eterna Cartridges w/ Spring Checks, 2.2 GPM Rosespray Outlet, 4-Arm Handles and 1/2" NPT Female Inlets

Product Compliance:

ASME A112.18.1 / CSA B125.1
NSF 61 - Section 9
NSF 372 (Low Lead Content)
ANSI A117.1 (ADA)



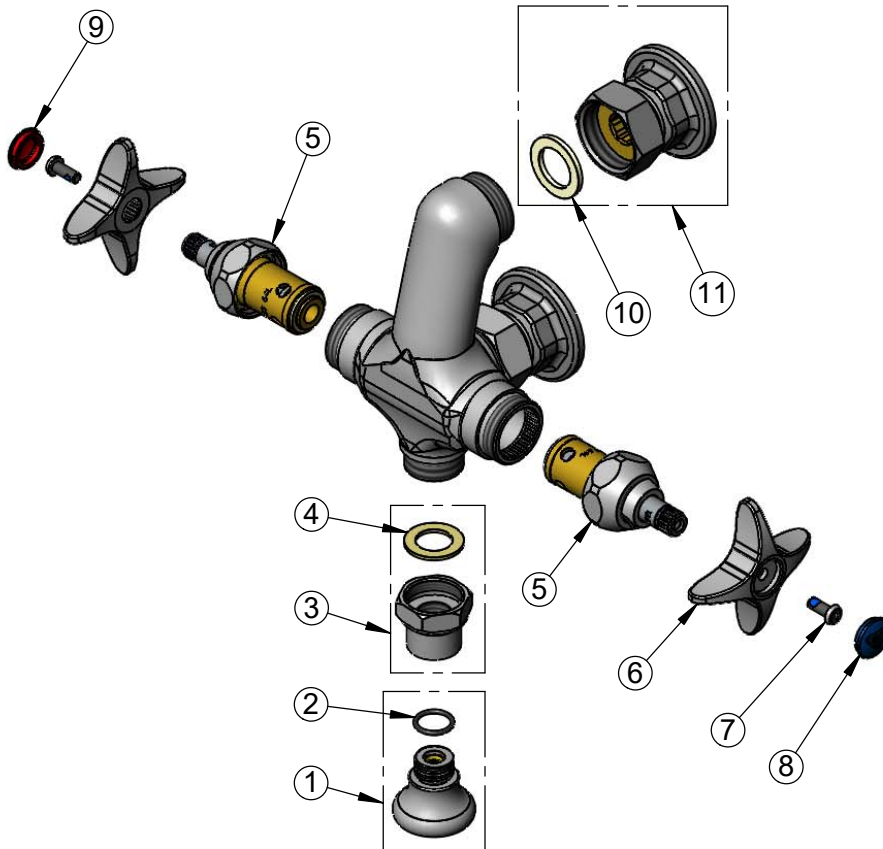
T&S BRASS AND BRONZE WORKS, INC.
 2 Saddleback Cove / P.O. Box 1088
 Travelers Rest, SC 29690

Model No.
B-0810

Item No.

Travelers Rest, SC: 800-476-4103 • Simi Valley, CA: 800-423-0150 • Fax: 864-834-3518 • www.tsbrass.com

ITEM NO.	SALES NO.	DESCRIPTION
1	B-0103	2.2 GPM Rosespray Outlet
2	006575-45	-015 O-Ring
3	B-0413	Adapter, Swivel-to-Rigid
4	001049-45	Washer
5	012443-40NS	Quarter-Turn Eterna Cartridge w/ Spring Check, RTC
6	002521-45NS	4-Arm Handle (New Style)
7	000925-45	Lab Handle Screw
8	018506-19NS	Blue Button Index, Press-in
9	001193-19NS	Red Button Index, Press-in
10	001019-45	Coupling Nut Washer
11	00AA	1/2" Female Eccentric Flange



Product Specifications:
 Wall Mount Vertical Mixing Faucet w/ Quarter-Turn Eterna Cartridges w/
 Spring Checks, 2.2 GPM Rosespray Outlet, 4-Arm Handles and 1/2"
 NPT Female Inlets

Product Compliance:
 ASME A112.18.1 / CSA B125.1
 NSF 61 - Section 9
 NSF 372 (Low Lead Content)
 ANSI A117.1 (ADA)