



T&S BRASS AND BRONZE WORKS, INC.

2 Saddleback Cove / P.O. Box 1088
Travelers Rest, SC 29690

Model No.

B-0805-PA

Item No.

Travelers Rest, SC: 800-476-4103 • Simi Valley, CA: 800-423-0150 • Fax: 864-834-3518 • www.tsbrass.com

This Space for Architect/Engineer Approval

Job Name _____ Date _____

Model Specified _____ Quantity _____

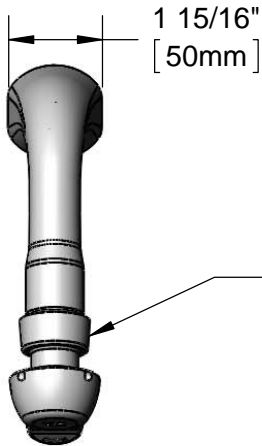
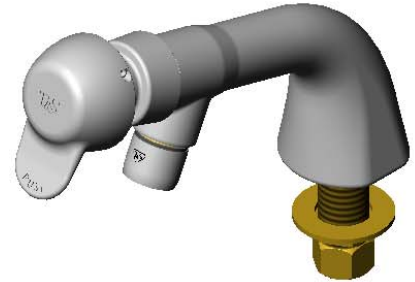
Customer/Wholesaler _____

Contractor _____

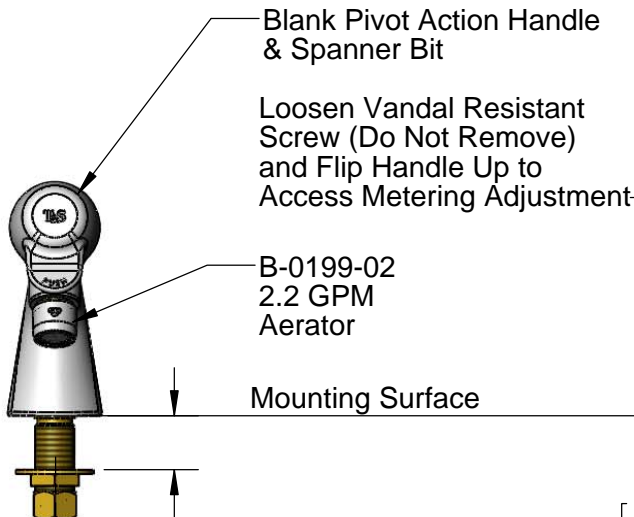
Architect/Engineer _____



ADA Compliant



Pivot Action Metering Cartridge
(Requires 3/32" Hex Key for Adjustment)

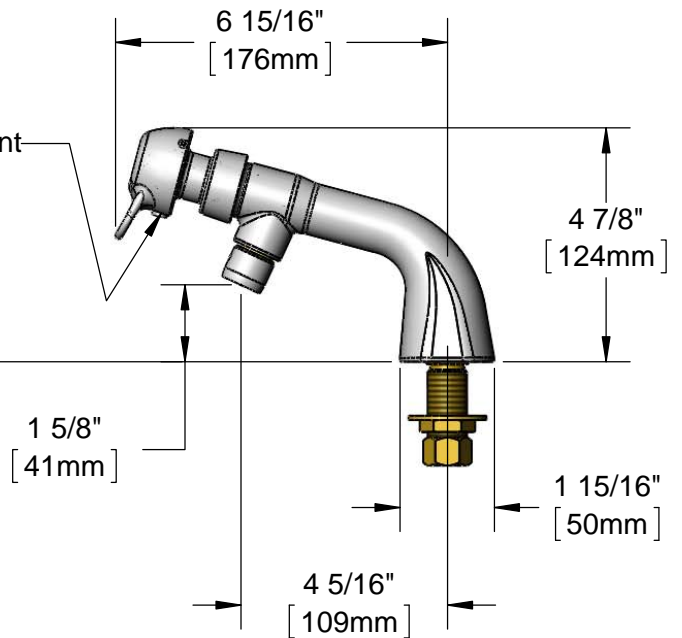


Loosen Vandal Resistant Screw (Do Not Remove) and Flip Handle Up to Access Metering Adjustment

Mounting Surface

1/2" NPSM Male Inlet w/ Coupling Nut

1" [25mm] Maximum Thickness



Rough-In Requirement:
Ø 1" [25mm] Mounting Hole

Product Specifications:
Single Temperature Metering Faucet, Pivot Action Metering Cartridge, 2.2 GPM Aerator & 1/2" NPSM Male Inlet

Drawn KJG	Checked DHL	Approved JHB
Scale: 1:4		Date: 03/18/13



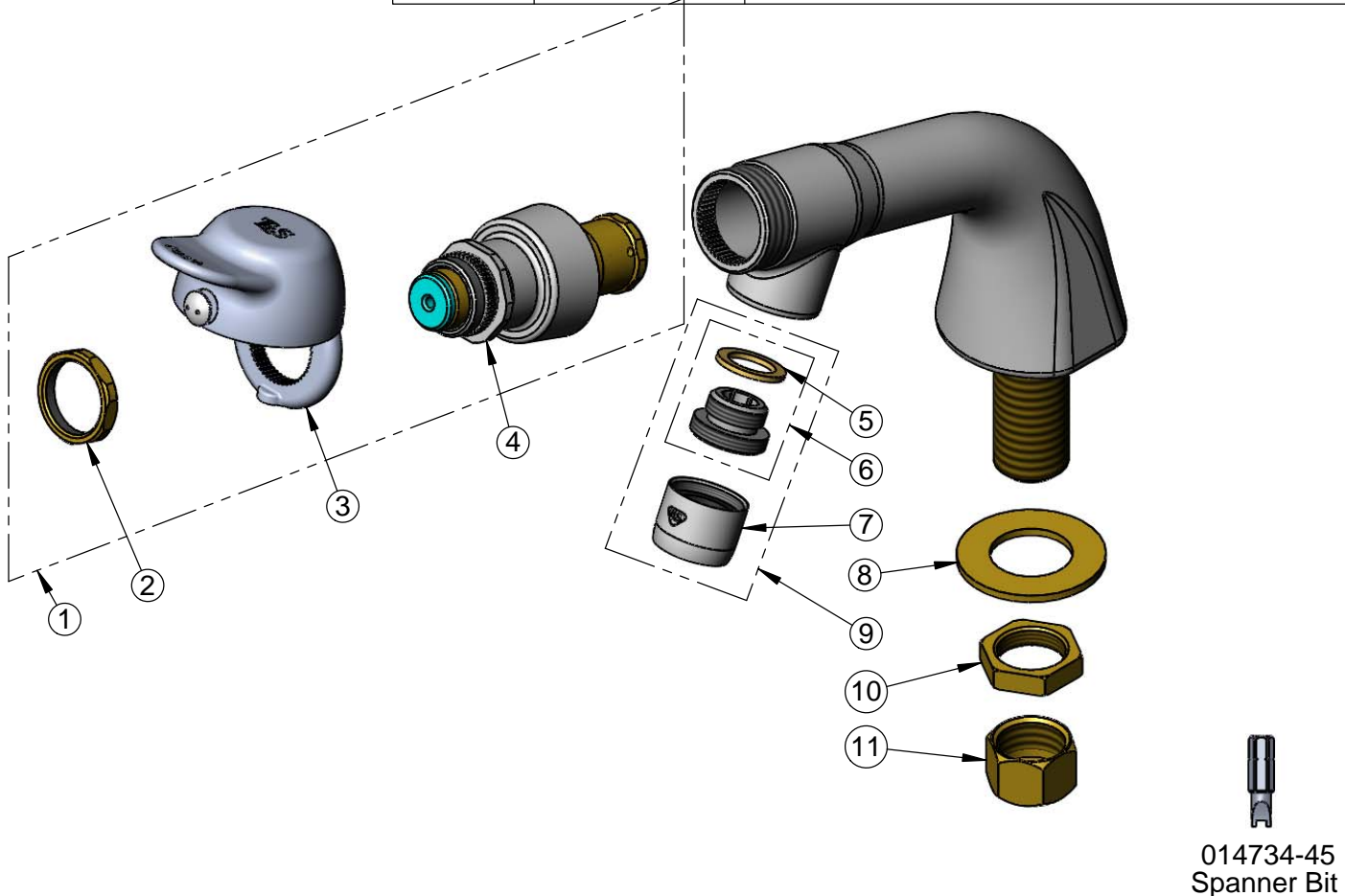
T&S BRASS AND BRONZE WORKS, INC.
 2 Saddleback Cove / P.O. Box 1088
 Travelers Rest, SC 29690

Model No.
B-0805-PA

Item No.

Travelers Rest, SC: 800-476-4103 • Simi Valley, CA: 800-423-0150 • Fax: 864-834-3518 • www.tsbrass.com

ITEM NO.	SALES NO.	DESCRIPTION
1	238AB-PA	Pivot Action Metering Cartridge w/ Blank PA Handle & Spanner Bit
2	PA-N	Retaining Nut
3	PA-B	Blank Pivot Action Handle Assembly w/ Retaining Nut and Spanner Bit
4	238A-PA	Pivot Action Metering Cartridge w/ Retaining Nut
5	001043-45	Washer
6	044A	3/8" to Aerator Adapter
7	B-0199-01	2.2 GPM Aerator, 55/64"-27UN Female
8	000999-45	Brass Lock Washer
9	B-0199-02	2.2 GPM Aerator, 3/8" NPSM Male
10	002954-45	Shank Lock Nut
11	000958-20	Coupling Nut



014734-45
Spanner Bit

Product Specifications:
 Single Temperature Metering Faucet, Pivot Action Metering Cartridge,
 2.2 GPM Aerator & 1/2" NPSM Male Inlet

Drawn KJG	Checked DHL	Approved JHB
Scale: NTS		Date: 03/18/13