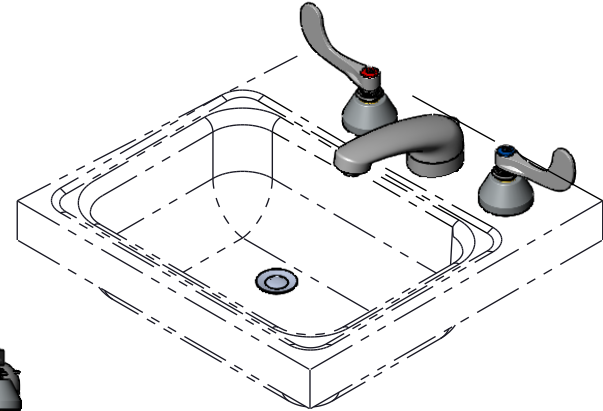
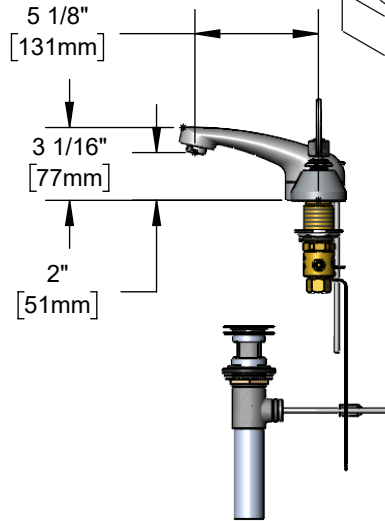
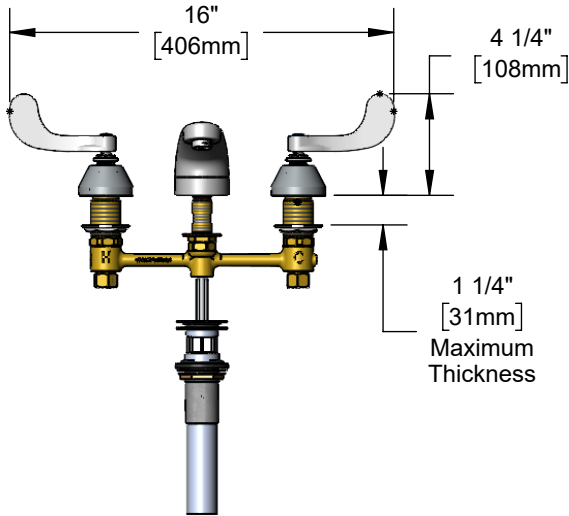




Architect/Engineering Specifications:

8" concealed deck mount mixing faucet with forged brass body, polished chrome plated cast spout with 2.2 GPM aerator, compression cartridges with spring checks, 4" wrist action handles, polished chrome plated escutcheons, pop-up drain and 1/2" NPT male inlets with coupling nuts. Certified to ASME A112.18.1/CSA B125.1, NSF 61-Section 9 and NSF 372.

Job Name _____
 Model Specified _____ Quantity _____
 Variations Specified _____
 Date _____



Features & Benefits:

- 8" EasyInstall concealed deck mount mixing faucet w/ forged brass body
- Polished chrome plated brass cast spout
- 2.2 GPM aerator, Series 3 (B-0199-03)
- Quarter-turn Eterna compression cartridges w/ spring checks to prevent cross flow of water
- 4" wrist action handles with color coded indexes
- 1/2" NPT male inlets w/ coupling nuts
- Pop-up drain
- Material: Forged brass body, chrome plated metal handles and escutcheons & polished chrome plated brass cast spout

Product Compliance:

- ASME A112.18.1 / CSA B125.1
- NSF 61 - Section 9
- NSF 372 (Low Lead Content)



Warranty: One Year (Limited)

Performance Data:

- Pressure: 20 - 125 psi [1.38 - 8.62 bar]
- Temperature: 40°F - 140°F [4.44°C - 60°C]
- Flow Rate: 2.2 GPM [8.3 L/min] @ 60 psi [4.14 bar]

Optional Outlets (Series 3 / VR Series 8)

| GPM | Aerated | Non-Aerated (Laminar) | VR Aerated | VR Non-Aerated (VR Laminar) |
|------|--|---|--|---|
| 0.35 | N/A | <input type="checkbox"/> B-0199-03-N035 | N/A | <input type="checkbox"/> B-0199-08-N035 |
| 0.5 | N/A | <input type="checkbox"/> B-0199-03-N05 | N/A | <input type="checkbox"/> B-0199-08-N05 |
| 1.0 | N/A | N/A | N/A | <input type="checkbox"/> B-0199-08-LF10 |
| 1.2 | <input type="checkbox"/> B-0199-03-F12 | N/A | <input type="checkbox"/> B-0199-08-F12 | N/A |
| 1.5 | <input type="checkbox"/> B-0199-03-WS | N/A | <input type="checkbox"/> B-0199-08-WS | <input type="checkbox"/> B-0199-08-LF15 |
| 2.2 | Standard | <input type="checkbox"/> B-0199-26 | <input type="checkbox"/> B-0199-08 | <input type="checkbox"/> B-0199-28 |

Optional Handles

- 4" Wrist Action (Standard)
- Lever
- 4-Arm

Optional Cartridges

- Quarter-Turn Cerama w/ Check Valve
- Quarter-Turn Eterna w/ Spring Check (Standard)
- Push Button Metering
- Pivot Action Metering
- Wrist Action Metering

