



Bedpan Washers

B-0694-ST

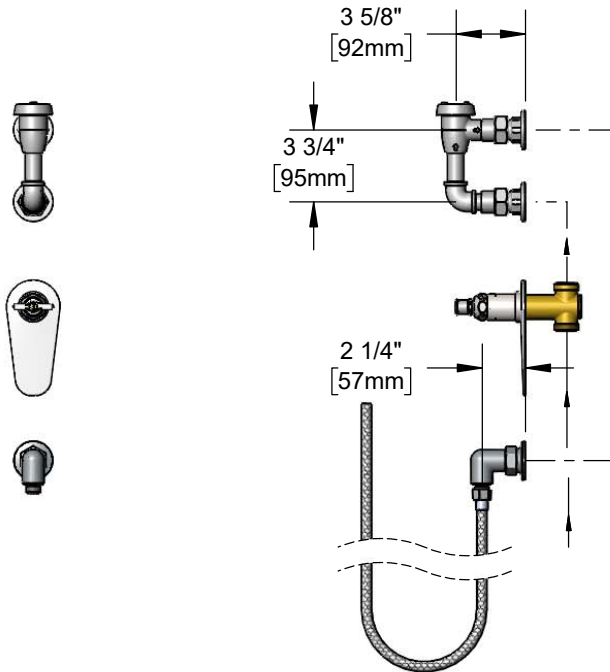
TAG:

Bedpan Washer

Architect/Engineering Specifications:

Wall mount, loose key style shutoff valve, brass body and polished chrome plated adjustable wall flange and sleeve, polished chrome plated brass flange elbow with 48" vinyl hose with plain end outlet, loose key style compression cartridge with spring check and tee handle, elevated 1/2" atmospheric vacuum breaker assembly, 1/2" NPT female inlets and outlets. Certified to ASME A112.18.1/CSA B125.1 and ASSE 1001.

Job Name _____
 Model Specified _____ Quantity _____
 Variations Specified _____
 Date _____



Features & Benefits:

- Wall mount, loose key style shutoff valve w/ brass body
- 6" tall polished chrome plated brass adjustable wall flange & sleeve
- Loose key style Eterna compression cartridge w/ spring check and tee handle
- 1/2" flange elbow w/ 4' vinyl hose with plain end outlet
- 1/2" NPT female inlets & outlets
- Elevated 1/2" NPT atmospheric vacuum breaker assembly
- Material: Brass shutoff valve body, polished chrome plated brass flange elbow and wall flanges, metal tee handle & vinyl hose

Product Compliance:

- ASME A112.18.1 / CSA B125.1
- NSF 61 Exempt (Non-Potable)
- ASSE 1001 (VB)



Warranty: One Year (Limited)

Performance Data:

- Pressure: 20 - 125 psi [1.38 - 8.62 bar]
- Temperature: 40°F - 140°F [4.44°C - 60°C]
- Flow Rate: 15.80 GPM [59.8 L/min] @ 60 psi [4.14 bar]



T&S BRASS AND BRONZE WORKS, INC.



• 2 Saddleback Cove • Travelers Rest, SC 29690
 Ph 800-476-4103 • Fax 864-834-3518
 • Simi Valley, CA • Ph 800-423-0150 • www.tsbrass.com

Date: 03/08/21