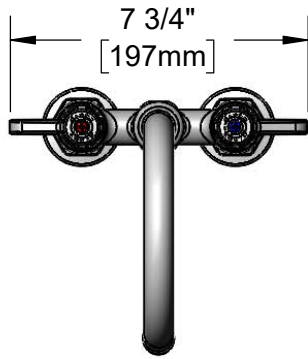




ADA Compliant



This Space for Architect/Engineer Approval

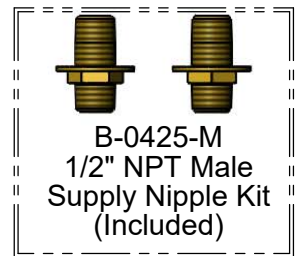
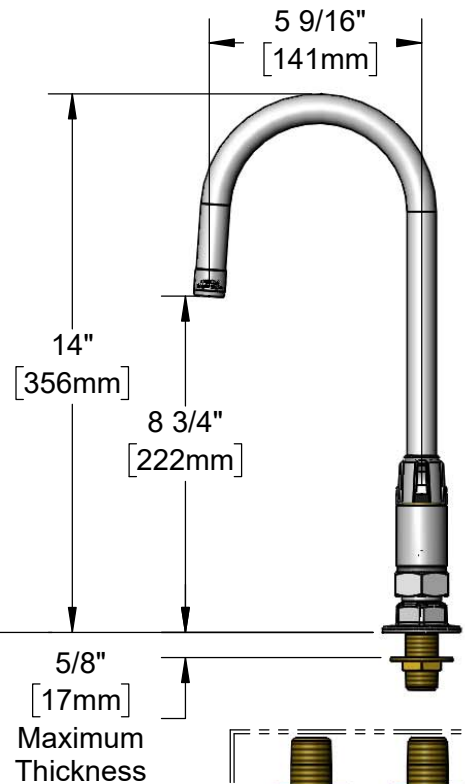
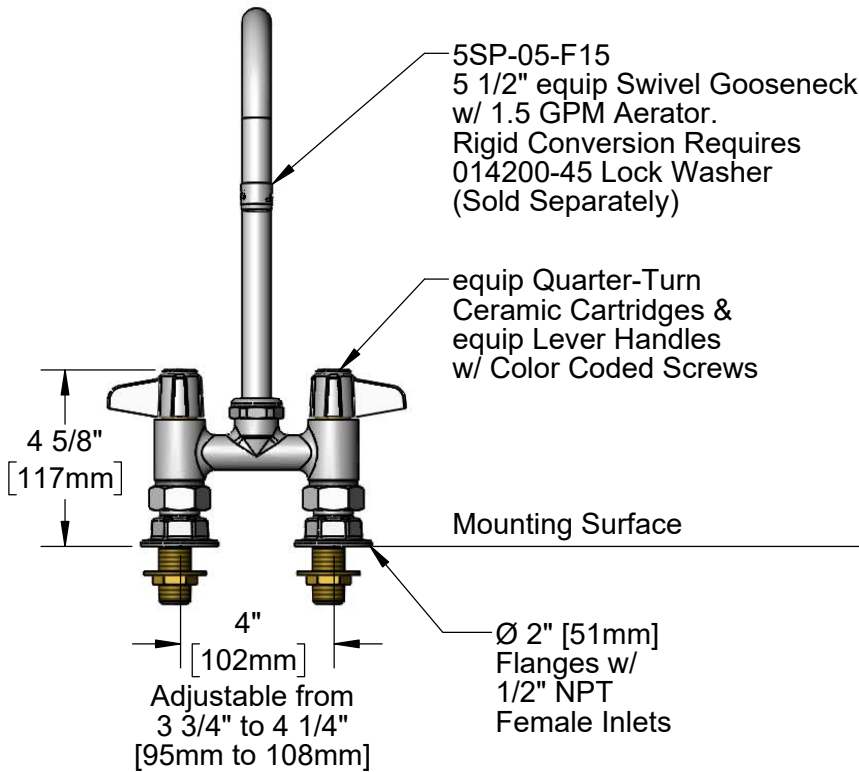
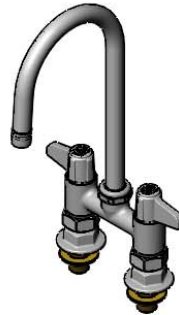
Job Name _____ Date _____

Model Specified _____ Quantity _____

Customer/Wholesaler _____

Contractor _____

Architect/Engineer _____



Rough-In Requirement:
(2) Ø 1" [25mm] Mounting Holes

Model Number
5F-4DLS05-F15

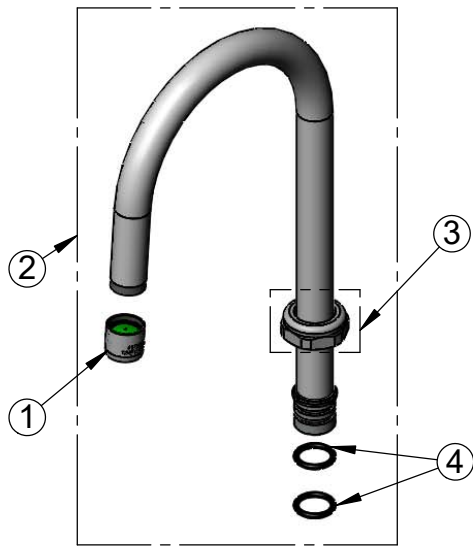
Product Specifications:
4" Deck Mount Mixing Faucet w/ equip Quarter-Turn Ceramic Cartridges, equip Lever Handles, 5 1/2" equip Swivel Gooseneck with 1.5 GPM Aerator & 1/2" NPT Supply Nipple Kit

Product Compliance:
ASME A112.18.1 / CSA B125.1
NSF 61 - Section 9
NSF 372 (Low Lead Content)
ANSI A117.1 (ADA)

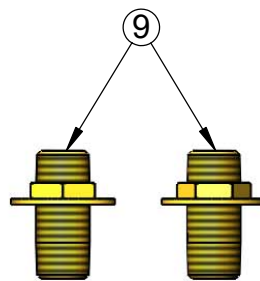
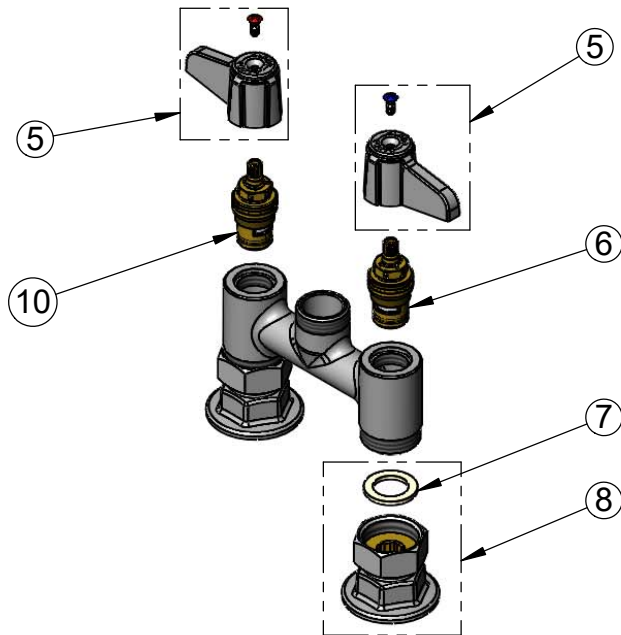
equip
Foodservice
Accessories

by

2 Saddleback Cove, P.O. Box 1088
Travelers Rest, South Carolina 29690
Phone: 800.891.4808 Fax: 800.868.0084
equip.tsbrass.com



| ITEM NO. | SALES NO. | DESCRIPTION |
|----------|------------|--|
| 1 | SP-F15 | 1.5 GPM Aerator, 3/4-27 UN Female |
| 2 | 5SP-05-F15 | 5 9/16" Swivel Gooseneck |
| 3 | 013839-25 | equip Swivel Nut |
| 4 | 013848-45 | O-Ring |
| 5 | 5-HDL-L | equip Lever Handle w/ Color Coded Screws |
| 6 | 013788-45 | equip Quarter-Turn Ceramic Cartridge, LTC (Blue) |
| 7 | 001019-45 | Coupling Nut Washer |
| 8 | 00AA | 1/2" NPT Female Inlet Flange |
| 9 | B-0425-M | 1/2" NPT x 2" Supply Nipple |
| 10 | 013787-45 | equip Quarter-Turn Ceramic Cartridge, RTC (Red) |



Model Number

5F-4DLS05-F15

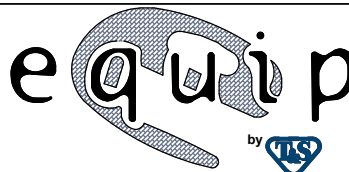
Product Specifications:

4" Deck Mount Mixing Faucet w/ equip Quarter-Turn Ceramic Cartridges, equip Lever Handles, 5 1/2" equip Swivel Gooseneck with 1.5 GPM Aerator & 1/2" NPT Supply Nipple Kit

Product Compliance:

ASME A112.18.1 / CSA B125.1
NSF 61 - Section 9
NSF 372 (Low Lead Content)
ANSI A117.1 (ADA)

equip
Foodservice
Accessories



2 Saddleback Cove, P.O. Box 1088
Travelers Rest, South Carolina 29690
Phone: 800.891.4808 Fax: 800.868.0084
equip.tsbrass.com