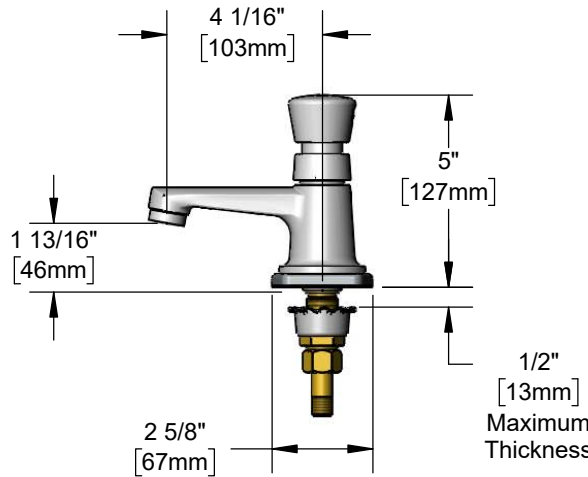
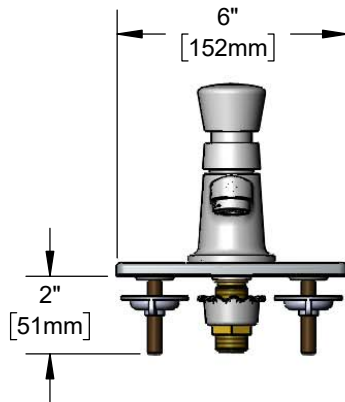




Architect/Engineering Specifications:

Single hole, single temperature deck mount faucet with polished chrome plated brass body, 4" centerline deck plate, 0.5 GPM non-aerated spray device, metering cartridge, push button cap and 1/2" NPSM male inlet. Certified to ASME A112.18.1/CSA B125.1, NSF 61-Section 9 and NSF 372. Meets ADA ANSI/ICC A117.1 requirements.

Job Name _____
 Model Specified _____ Quantity _____
 Variations Specified _____
 Date _____



Features & Benefits:

- Single hole, single temperature deck mount faucet w/ polished chrome plated brass body
- 4" centerline deck plate
- 0.5 GPM non-aerated spray device, Series 8 (B-0199-08-N05)
- Metering cartridge
- Adjustable metering cycle, 10 to 30 seconds
- Push button cap w/ vandal resistant screw
- 1/2" NPSM male inlet
- Tailpiece and nut for 1/4" NPT connection
- Material: Polished chrome plated brass body, deck plate & chrome plated push button

Product Compliance:

- ASME A112.18.1 / CSA B125.1
- NSF 61 - Section 9
- NSF 372 (Low Lead Content)
- ANSI A117.1 (ADA)



Warranty: One Year (Limited)

Performance Data:

- Pressure: 20 - 125 psi
- Temperature: 40 °F - 140 °F
- Flow Rate: 0.5 GPM @ 60 psi
- Water Consumption: @ 10 sec = .08 gal
@ 15 sec = .13 gal



Optional Outlets (Series 3 / VR Series 8)

GPM	Aerated	Non-Aerated (Laminar)	VR Aerated	VR Non-Aerated (VR Laminar)
0.35	N/A	<input type="checkbox"/> B-0199-03-N035	N/A	<input type="checkbox"/> B-0199-08-N035
0.5	N/A	<input type="checkbox"/> B-0199-03-N05	N/A	Standard
1.0	<input type="checkbox"/> B-0199-03-F10	N/A	<input type="checkbox"/> B-0199-08-F10	<input type="checkbox"/> B-0199-08-LF10
1.2	<input type="checkbox"/> B-0199-03-F12	N/A	<input type="checkbox"/> B-0199-08-F12	N/A
1.5	<input type="checkbox"/> B-0199-03-WS	N/A	<input type="checkbox"/> B-0199-08-WS	<input type="checkbox"/> B-0199-08-LF15
2.2	<input type="checkbox"/> B-0199-03	<input type="checkbox"/> B-0199-26	<input type="checkbox"/> B-0199-08	<input type="checkbox"/> B-0199-28

Optional Cartridges

- Push Button Metering (Standard)
- Pivot Action Metering
- Wrist Action Metering

