



T&S BRASS AND BRONZE WORKS, INC.
 2 Saddleback Cove / P.O. Box 1088
 Travelers Rest, SC 29690

Model No.
B-0352-04

Item No.

Travelers Rest, SC: 800-476-4103 • Simi Valley, CA: 800-423-0150 • Fax: 864-834-3518 • www.tsbrass.com



ADA Compliant

This Space for Architect/Engineer Approval

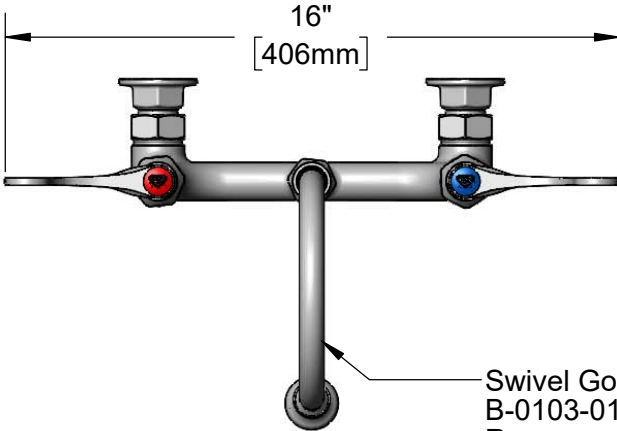
Job Name _____ Date _____

Model Specified _____ Quantity _____

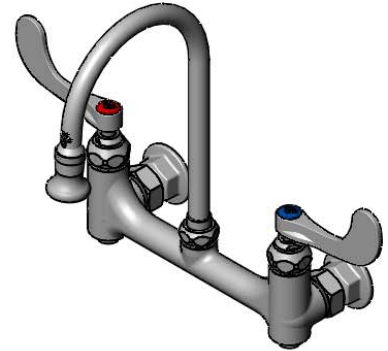
Customer/Wholesaler _____

Contractor _____

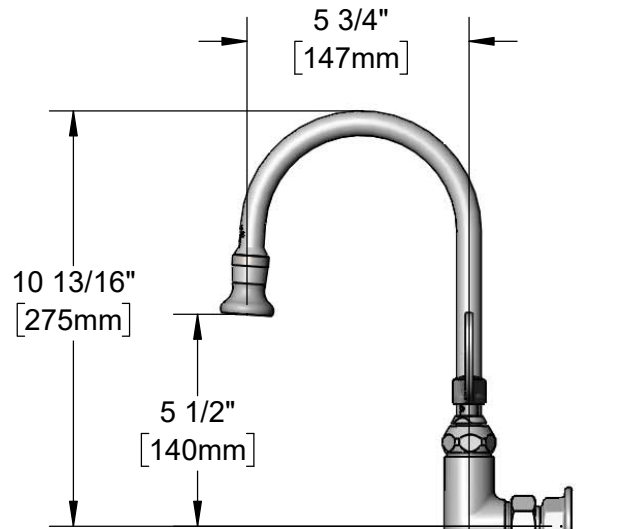
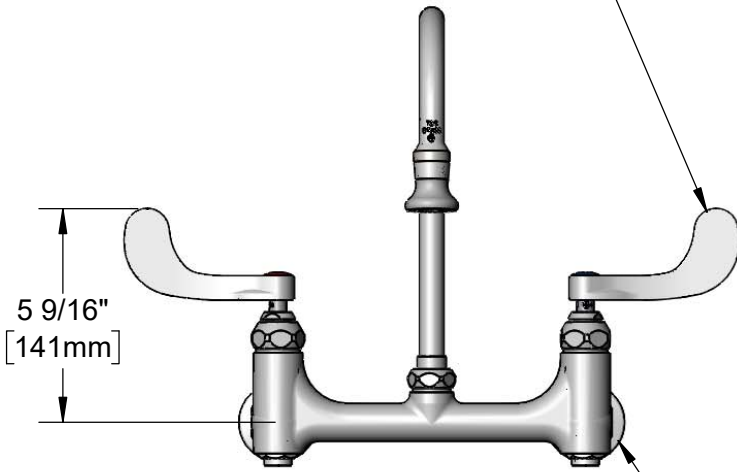
Architect/Engineer _____



Swivel Gooseneck w/
 B-0103-01
 Rosespray Outlet.
 014200-45
 Lock Washer (Included)



Quarter-Turn
 Eterna Cartridges w/
 Spring Checks &
 4" Wrist Action Handles w/
 Color Coded Indexes



8" [203mm]
 Adjustable From
 7 3/4" to 8 1/4"
 [197mm to 210mm]

Ø 2" [51mm]
 Flanges w/
 1/2" NPT
 Female Inlets

Built-In Stop
 2 11/16"
 [68mm]

Mounting Surface

Product Specifications:

8" Wall Mount Mixing Faucet, Quarter-Turn Eterna Cartridges w/ Spring Checks, 4" Wrist Action Handles, 5 3/4" Swivel/Rigid Gooseneck w/ Rosespray Outlet, Built-In Stops & 1/2" NPT Female Inlets

Product Compliance:

ASME A112.18.1 / CSA B125.1
 NSF 61 - Section 9
 NSF 372 (Low Lead Content)
 ANSI A117.1 (ADA)



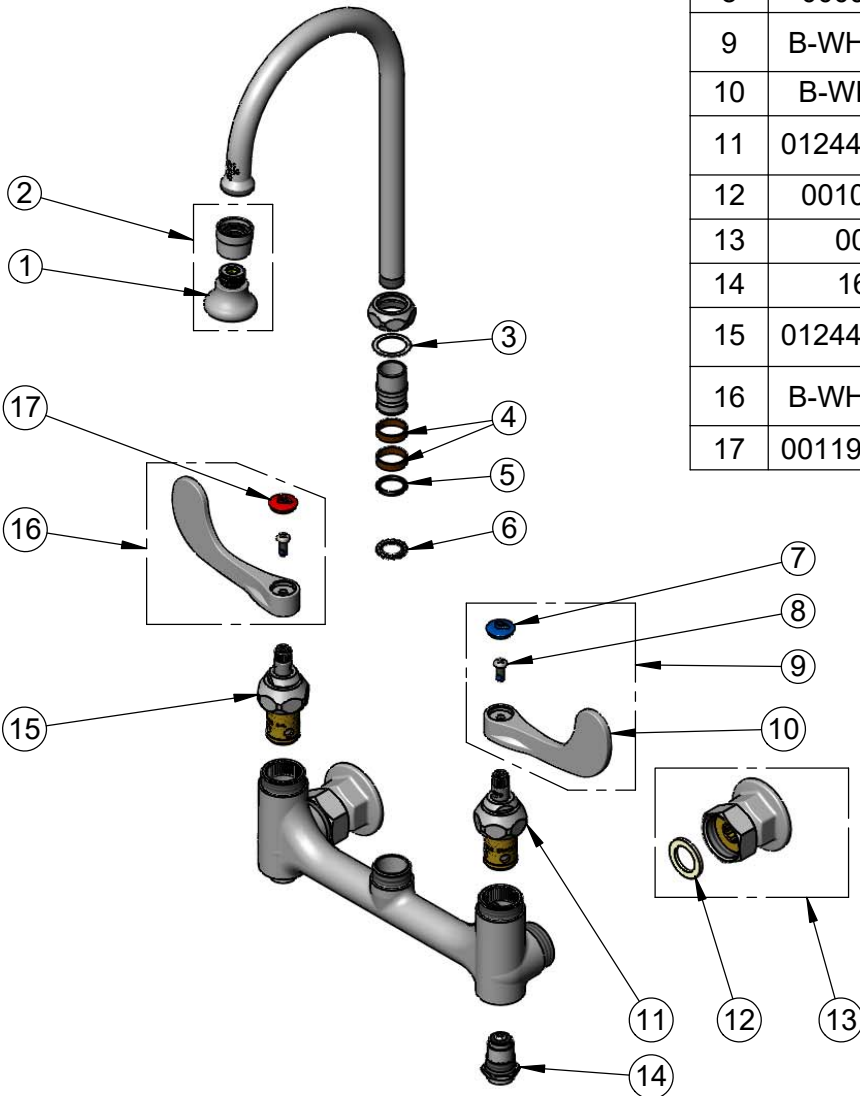
T&S BRASS AND BRONZE WORKS, INC.
 2 Saddleback Cove / P.O. Box 1088
 Travelers Rest, SC 29690

Model No.
B-0352-04

Item No.

Travelers Rest, SC: 800-476-4103 • Simi Valley, CA: 800-423-0150 • Fax: 864-834-3518 • www.tsbrass.com

ITEM NO.	SALES NO.	DESCRIPTION
1	B-0103	2.2 GPM Rosespray, 3/8-18 NPT Male
2	B-0103-01	2.2 GPM Rosespray, 55/64-27 UN Female
3	009538-45	Swivel Washer
4	011429-45	Swivel Sleeves (2)
5	001074-45	O-Ring
6	014200-45	Star Washer, Anti-Rotation
7	018506-19NS	Blue Button Index, Press-in
8	000925-45	Lab Handle Screw
9	B-WH4C-NS	4" Wrist Action Handle, Blue Index & Screw
10	B-WH4-NS	Wrist Action Handle - New Style
11	012442-40NS	Quarter-Turn Eterna Cartridge w/ Spring Check, LTC
12	001019-45	Coupling Nut Washer
13	00AA	1/2" NPT Female Eccentric Flange
14	163A	Built-in Service Stop
15	012443-40NS	Quarter-Turn Eterna Cartridge w/ Spring Check, RTC
16	B-WH4H-NS	4" Wrist Action Handle, Red Index & Screw
17	001193-19NS	Red Button Index, Press-in



Product Specifications:

8" Wall Mount Mixing Faucet, Quarter-Turn Eterna Cartridges w/ Spring Checks, 4" Wrist Action Handles, 5 3/4" Swivel/Rigid Gooseneck w/ Rosespray Outlet, Built-In Stops & 1/2" NPT Female Inlets

Product Compliance:

ASME A112.18.1 / CSA B125.1
 NSF 61 - Section 9
 NSF 372 (Low Lead Content)
 ANSI A117.1 (ADA)