



**Architect/Engineering Specifications:**

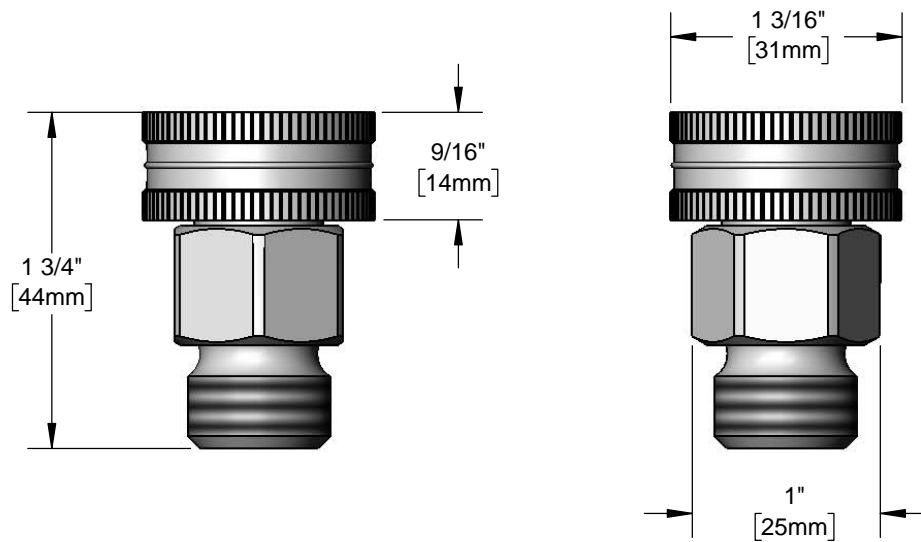
Chrome plated brass 3/4" garden hose x 3/4-14 UN male adapter. Certified to NSF 61-Section 9 and NSF 372.

Job Name \_\_\_\_\_

Model Specified \_\_\_\_\_ Quantity \_\_\_\_\_

Variations Specified \_\_\_\_\_

Date \_\_\_\_\_



**Features & Benefits:**

- Chrome plated brass adapter
- 3/4" garden hose female x 3/4-14 UN male adapter
- Washer included
- Material: Rough Chrome plated brass

**Product Compliance:**

- NSF 61 - Section 9
- NSF 372 (Low Lead Content)



**Warranty:** One Year (Limited)

**Performance Data:**

- N/A

