



T&S BRASS AND BRONZE WORKS, INC.

2 Saddleback Cove / P.O. Box 1088
Travelers Rest, SC 29690

Model No.

B-0680-ST

Item No.

Travelers Rest, SC: 800-476-4103 • Simi Valley, CA: 800-423-0150 • Fax: 864-834-3518 • www.tsbrass.com

This Space for Architect/Engineer Approval

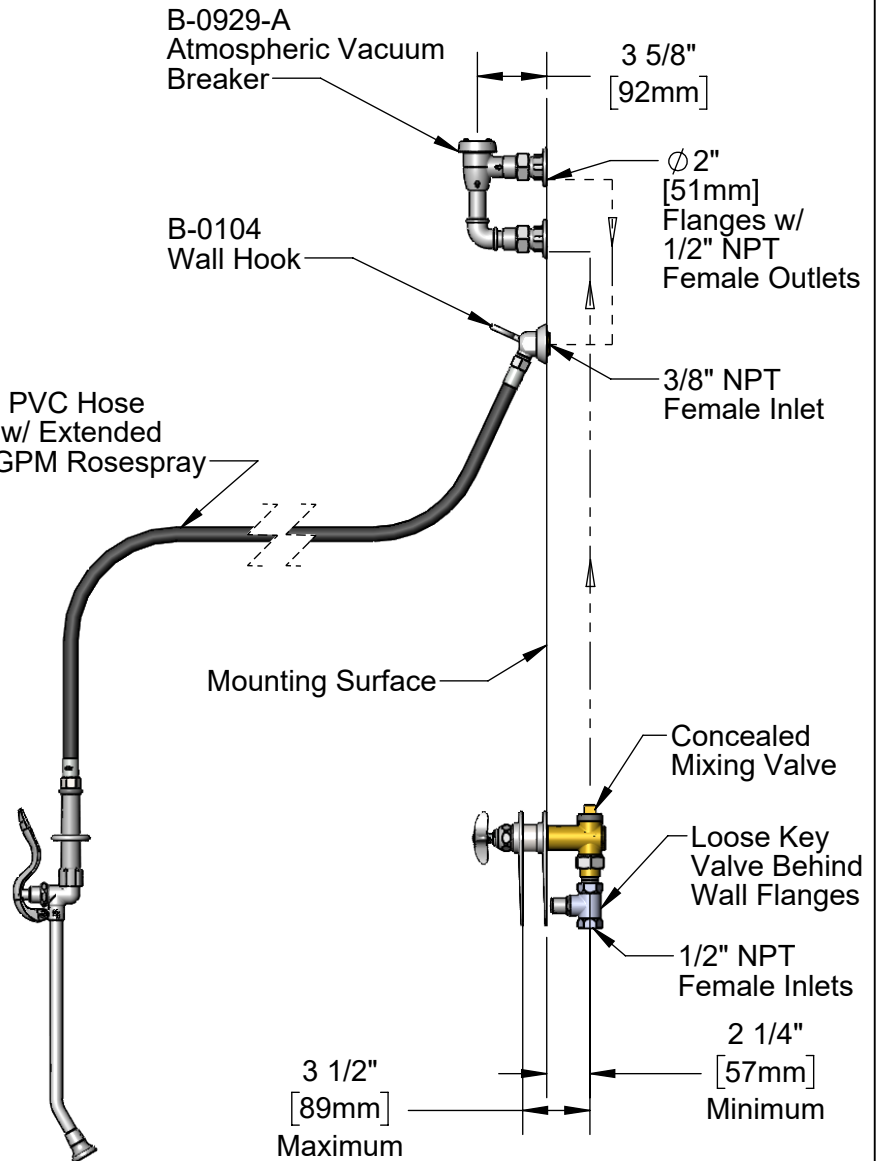
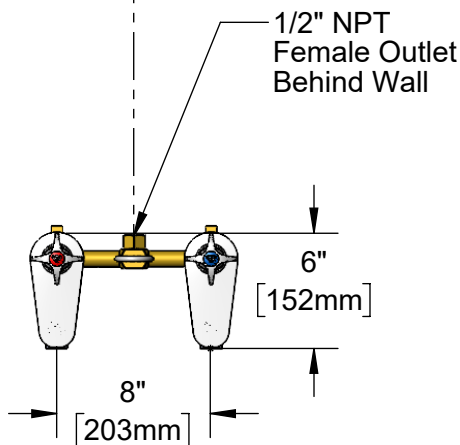
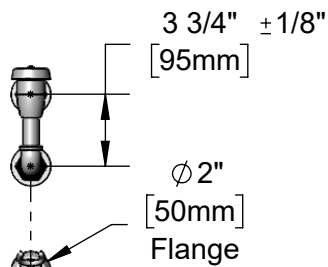
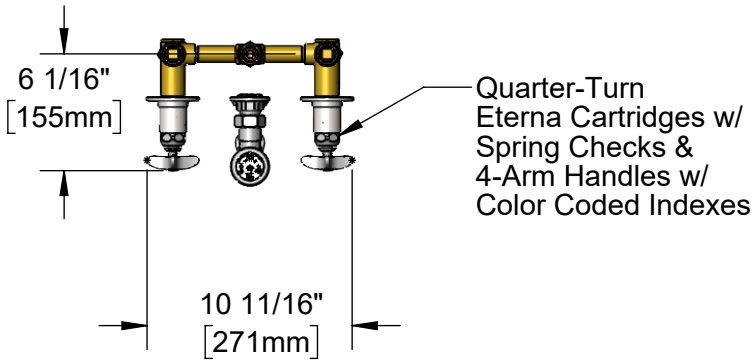
Job Name _____ Date _____

Model Specified _____ Quantity _____

Customer/Wholesaler _____

Contractor _____

Architect/Engineer _____



Rough-In Requirement:
(2) Ø 1 1/2" [38mm] Mounting Holes for Concealed Mixing Valve

Product Specifications:

Bedpan Washer, 8" Concealed Bypass Mixing Valve, Quarter-Turn Eterna Cartridges w/ Spring Checks, 4-Arm Handles, Vacuum Breaker, 68" Reinforced PVC Hose, Spray Valve w/ Extended Nozzle w/ 2.2 GPM Rosespray, Wall Hook & 1/2" NPT Female Inlets

Product Compliance:

ASME A112.18.1 / CSA B125.1
NSF 61 Exempt (Non-Potable)
NSF 372 (Low Lead Content)
ASSE 1001 (VB)
2019 DOE PRSV Non-Compliant



T&S BRASS AND BRONZE WORKS, INC.

2 Saddleback Cove / P.O. Box 1088
Travelers Rest, SC 29690

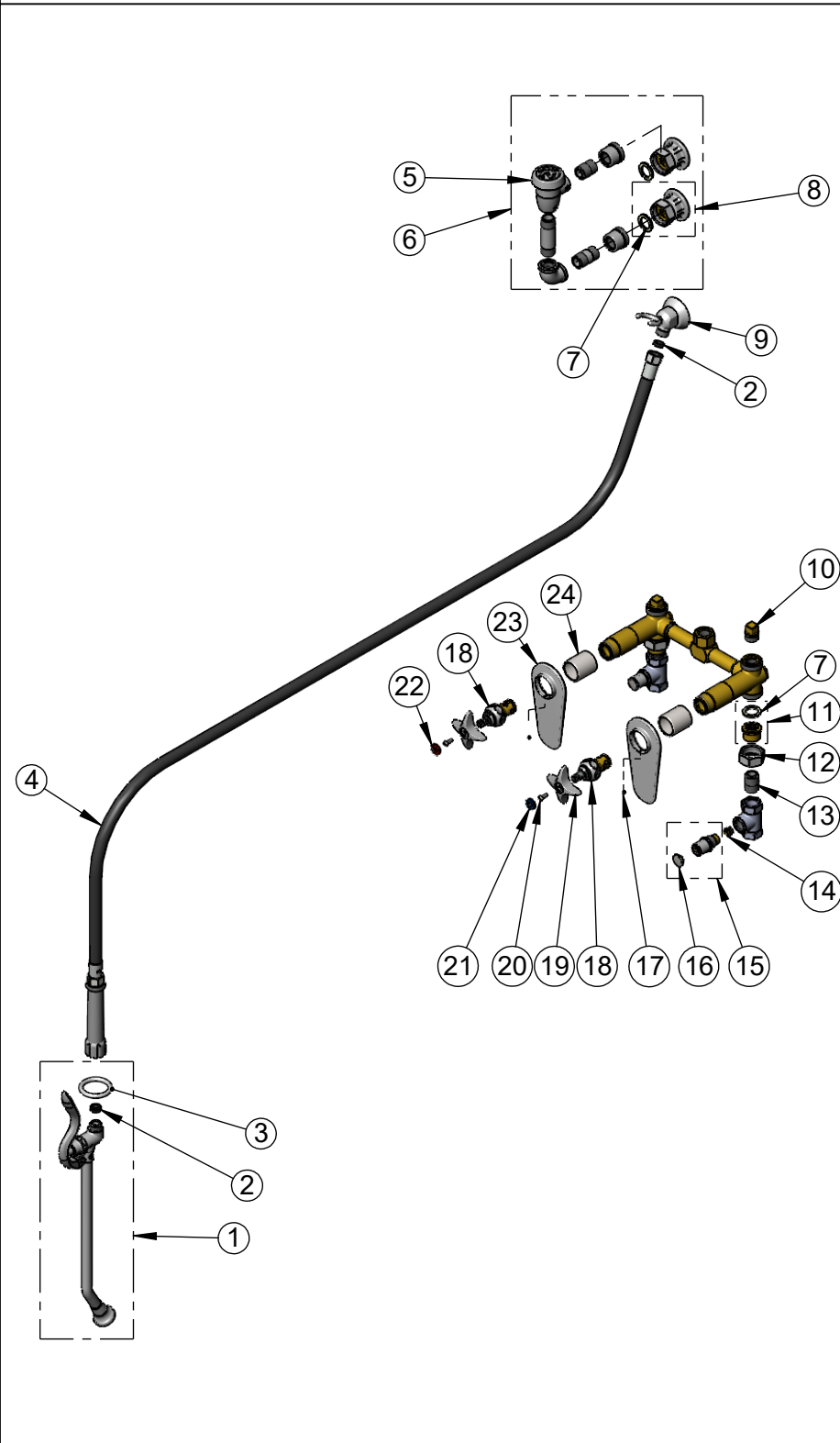
Model No.

B-0680-ST

Item No.

Travelers Rest, SC: 800-476-4103 • Simi Valley, CA: 800-423-0150 • Fax: 864-834-3518 • www.tsbrass.com

| ITEM NO. | SALES NO. | DESCRIPTION |
|----------|-------------|--|
| 1 | 002865-40 | Extended Spray Wand |
| 2 | 010476-45 | #27 Washer |
| 3 | 000907-45 | Spray Valve Hold Down Ring |
| 4 | B-0068-R | 68" Reinforced PVC Hose |
| 5 | B-0969 | 1/2" NPT Vacuum Breaker |
| 6 | B-0929-A | Atmospheric Vacuum Breaker |
| 7 | 001019-45 | Coupling Nut Washer |
| 8 | 00AA | 1/2" NPT Female Eccentric Flange |
| 9 | B-0104 | Wall Hook Outlet |
| 10 | 001347-20 | 1/2" NPT Square Head Plug |
| 11 | 153F | Union Half, 1/2 NPT w/ Washer |
| 12 | 000721-25 | Flange Coupling Nut |
| 13 | 002534-25 | Close Nipple, 1/2" NPT |
| 14 | 000763-20 | Seat |
| 15 | 002892-40 | Service Stop Spindle w/ Cap |
| 16 | 001605-45 | Cap |
| 17 | 000939-45 | Set Screw |
| 18 | 012443-40NS | Quarter-Turn Eterna Cartridge w/ Spring Check, RTC |
| 19 | 002521-45 | 4-Arm Handle (New Style) |
| 20 | 000925-45 | Lab Handle Screw |
| 21 | 018506-19NS | Blue Button Index, Press-in |
| 22 | 001193-19NS | Red Button Index, Press-in |
| 23 | 002820-40 | Escutcheon, Tear-Drop |
| 24 | 151F | Escutcheon Tube |



Product Specifications:
 Bedpan Washer, 8" Concealed Bypass Mixing Valve, Quarter-Turn Eterna Cartridges w/ Spring Checks, 4-Arm Handles, Vacuum Breaker, 68" Reinforced PVC Hose, Spray Valve w/ Extended Nozzle w/ 2.2 GPM Rosespray, Wall Hook & 1/2" NPT Female Inlets

Product Compliance:
 ASME A112.18.1 / CSA B125.1
 NSF 61 Exempt (Non-Potable)
 NSF 372 (Low Lead Content)
 ASSE 1001 (VB)
 2019 DOE PRSV Non-Compliant