



# Medical and Lavatory Faucets

## B-0807-WS

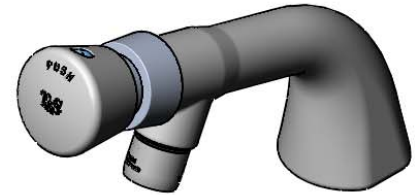
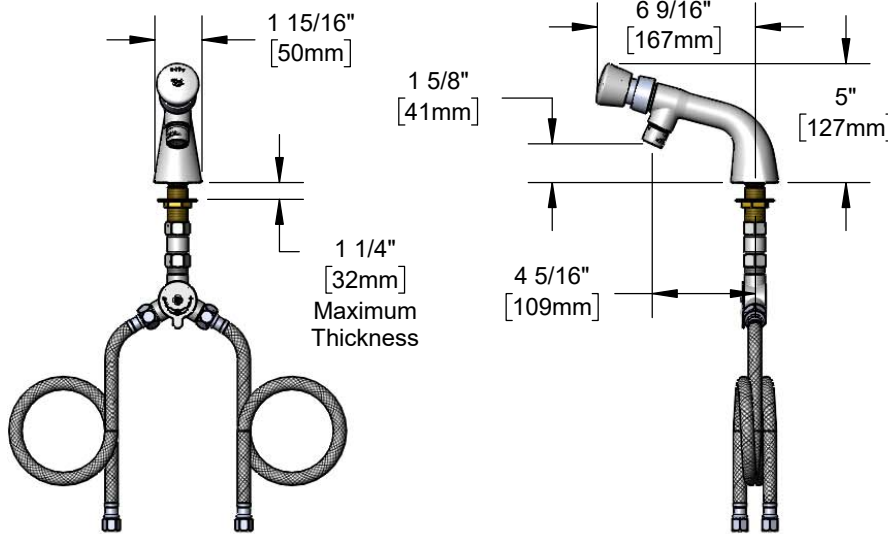
TAG:

### Self-Closing Metering Faucet

#### Architect/Engineering Specifications:

Single hole, single temperature deck mount faucet with polished chrome plated brass body, 1.5 GPM aerator, metering cartridge, push button cap, mechanical mixing valve with integral check valves and 18" flexible stainless steel supply hoses with 3/8" compression female inlets. Certified to ASME A112.18.1/CSA B125.1, NSF 61-Section 9, and NSF 372. Meets ADA ANSI/ICC A117.1 requirements.

Job Name \_\_\_\_\_  
 Model Specified \_\_\_\_\_ Quantity \_\_\_\_\_  
 Variations Specified \_\_\_\_\_  
 Date \_\_\_\_\_



#### Features & Benefits:

- Single hole, single temperature deck mount faucet w/ polished chrome plated brass body
- 1.5 GPM aerator, Series 2 (B-0199-02-WS)
- Metering cartridge
- Adjustable metering cycle, 10 to 30 seconds
- Push button cap w/ vandal resistant screw
- Mechanical mixing valve w/ integral check valves
- 18" flexible stainless steel supply hoses w/ 3/8" compression female inlets
- Material: Polished chrome plated brass body and chrome plated metal handle

#### Product Compliance:

- ASME A112.18.1 / CSA B125.1
- NSF 61 - Section 9
- NSF 372 (Low Lead Content)
- ANSI A117.1 (ADA)



#### Warranty: One Year (Limited)



ADA Compliant

#### Performance Data:

- Pressure: 20 - 125 psi [1.38 - 8.62 bar]
- Temperature: 40 °F -140 °F [4.44 °C - 60 °C]
- Flow Rate: 1.5 GPM [5.68 L/min] @ 60 psi [4.14 bar]
- Water Consumption: @ 10 sec = .25 gal [.95 L]  
@ 15 sec = .37 gal [1.40 L]

#### Optional Outlets (Series 2 / VR Series 7)

| GPM  | Aerated                                | Non-Aerated (Laminar)                   | VR Aerated                             | VR Non-Aerated (VR Laminar)             |
|------|--|---|--|---|
| 0.35 | N/A                                    | <input type="checkbox"/> B-0199-02-N035 | N/A                                    | <input type="checkbox"/> B-0199-07-N035 |
| 0.5  | N/A                                    | <input type="checkbox"/> B-0199-02-N05  | N/A                                    | <input type="checkbox"/> B-0199-07-N05  |
| 1.0  | <input type="checkbox"/> B-0199-02-F10 | N/A                                     | <input type="checkbox"/> B-0199-07-F10 | N/A                                     |
| 1.2  | <input type="checkbox"/> B-0199-02-F12 | N/A                                     | <input type="checkbox"/> B-0199-07-F12 | N/A                                     |
| 1.5  | Standard                               | N/A                                     | <input type="checkbox"/> B-0199-07-WS  | N/A                                     |
| 2.2  | <input type="checkbox"/> B-0199-02     | N/A                                     | <input type="checkbox"/> B-0199-07     | N/A                                     |

#### Optional Cartridges

- Push Button Metering (Standard)
- Pivot Action Metering
- Wrist Action Metering



T&S BRASS AND BRONZE WORKS, INC.



• 2 Saddleback Cove • Travelers Rest, SC 29690  
 Ph 800-476-4103 • Fax 864-834-3518  
 • Simi Valley, CA • Ph 800-423-0150 • www.tsbrass.com

Date: 02/11/21