



T&S BRASS AND BRONZE WORKS, INC.

2 Saddleback Cove / P.O. Box 1088
Travelers Rest, SC 29690

Model No.
B-1142-QT5XPF15

Item No.

Travelers Rest, SC: 800-476-4103 • Simi Valley, CA: 800-423-0150 • Fax: 864-834-3518 • www.tsbrass.com



ADA Compliant

This Space for Architect/Engineer Approval

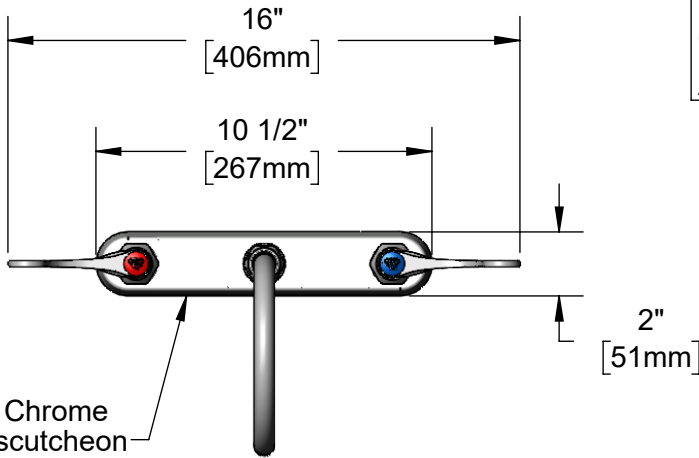
Job Name _____ Date _____

Model Specified _____ Quantity _____

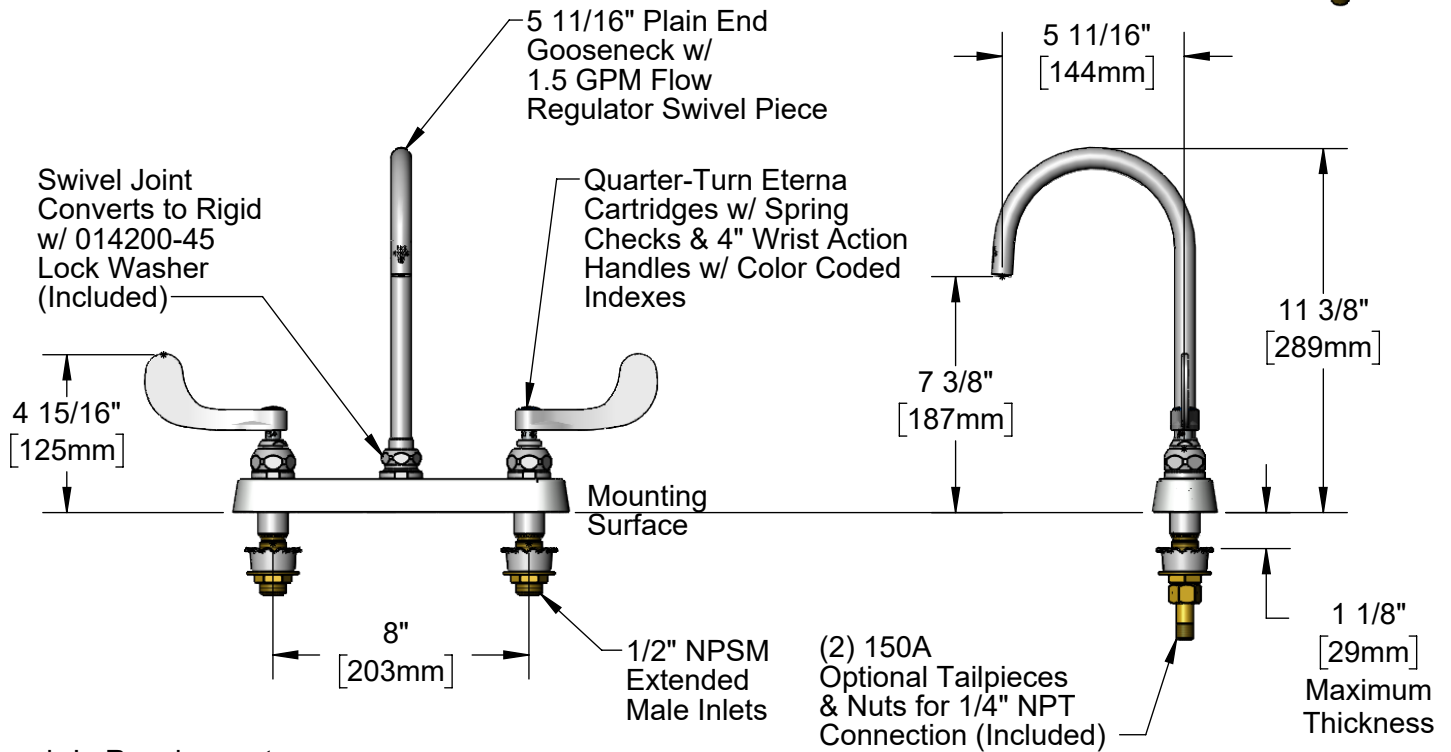
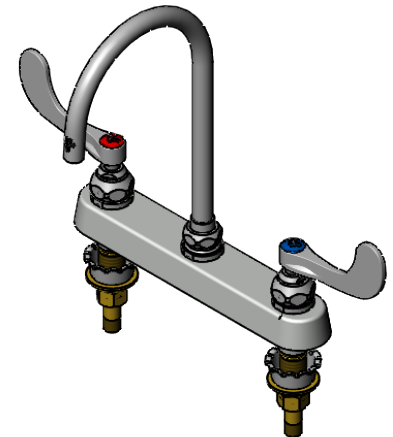
Customer/Wholesaler _____

Contractor _____

Architect/Engineer _____



Polished Chrome Plated Escutcheon



Rough-In Requirement:
(2) \varnothing 1" [25mm] Mounting Holes

Product Specifications:

8" Deck Mount Workboard Faucet, Quarter-Turn Eterna Cartridges w/ Spring Checks, 4" Wrist Action Handles, 5 11/16" Plain End Swivel Gooseneck, 1.5 GPM Flow Regulator & 1/2" NPSM Extended Male Inlets

Product Compliance:

ASME A112.18.1 / CSA B125.1
NSF 61 - Section 9
NSF 372 (Low Lead Content)
ANSI A117.1 (ADA)
EPA WaterSense



T&S BRASS AND BRONZE WORKS, INC.

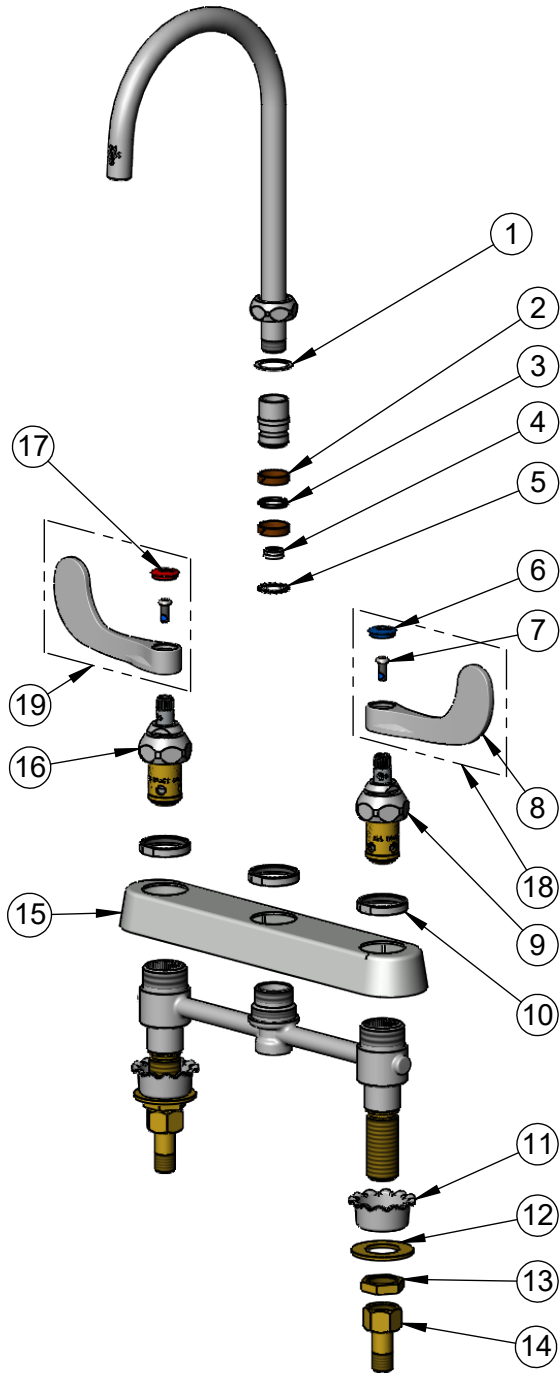
2 Saddleback Cove / P.O. Box 1088
Travelers Rest, SC 29690

Model No.

B-1142-QT5XPF15

Item No.

Travelers Rest, SC: 800-476-4103 • Simi Valley, CA: 800-423-0150 • Fax: 864-834-3518 • www.tsbrass.com



ITEM NO.	SALES NO.	DESCRIPTION
1	009538-45	Swivel Washer
2	011429-45	Swivel Sleeves (2)
3	001074-45	O-Ring
4	FD15	Flow Disc, 1.5 GPM [5.68 L/MIN]
5	014200-45	Star Washer, Anti-Rotation
6	018506-19NS	Blue Button Index, Press-in
7	000925-45	Lab Handle Screw
8	B-WH4-NS	Wrist Action Handle - New Style
9	012442-40NS	Quarter-Turn New Style Eterna Cartridge w/ Spring Check, LTC
10	019376-40	Escutcheon Lock Nut
11	001000-45	Rosette Washer
12	000999-45	Brass Lock Washer
13	002954-45	Shank Lock Nut
14	150A	1/4" NPT Tailpiece & Nut
15	019375-40	B-1120 Eterna Workboard Escutcheon
16	012443-40NS	Quarter-Turn New Style Eterna Cartridge w/ Spring Check, RTC
17	001193-19NS	Red Button Index, Press-in
18	B-WH4C-NS	Wrist Action Handle, Blue Index & Screw
19	B-WH4H-NS	Wrist Action Handle, Red Index & Screw

Product Specifications:

8" Deck Mount Workboard Faucet, Quarter-Turn Eterna Cartridges w/ Spring Checks, 4" Wrist Action Handles, 5 11/16" Plain End Swivel Gooseneck, 1.5 GPM Flow Regulator & 1/2" NPSM Extended Male Inlets

Product Compliance:

ASME A112.18.1 / CSA B125.1
NSF 61 - Section 9
NSF 372 (Low Lead Content)
ANSI A117.1 (ADA)
EPA WaterSense