



Architect/Engineering Specifications:

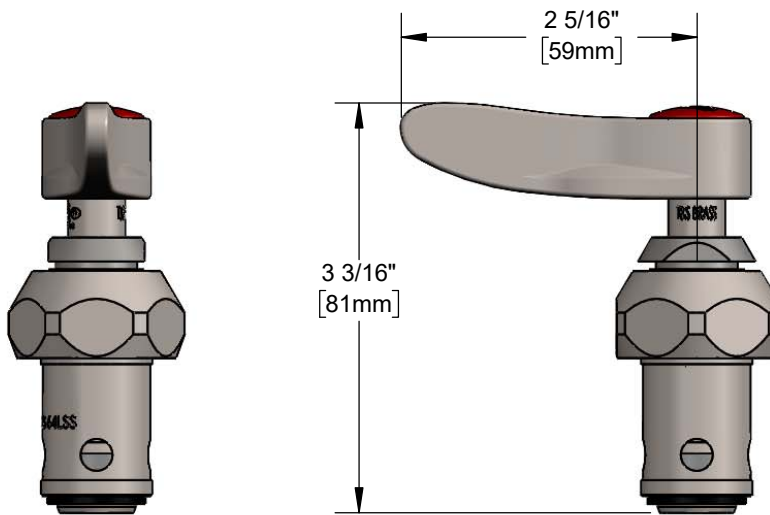
Stainless steel Eterna compression cartridge, RTC with spring check & lever handle, red index and screw. Fits all stainless steel T&S faucets. Certified to NSF 61-Section 9 and NSF 372. Meets ADA ANSI/ICC A117.1 requirements.

Job Name _____

Model Specified _____ Quantity _____

Variations Specified _____

Date _____



Features & Benefits:

- Quarter-turn Eterna compression cartridge with spring check to prevent cross flow of water
- Stainless steel lever handle
- Red index and screw
- Fits all stainless steel T&S faucets
- Material: Stainless steel cartridge & lever handle

Product Compliance:

- ASME A112.18.1 / CSA B125.1
- NSF 61 - Section 9
- NSF 372 (Low Lead Content)
- ANSI A117.1 (ADA)

Warranty: One Year (Limited)

Performance Data:

- Pressure: 20 - 125 psi [1.38 - 8.62 bar]
- Temperature: 40 °F - 140 °F [4.44 °C - 60 °C]
- Flow Rate: 11.25 GPM [42.59 L/min] @ 60 psi [4.14 bar]



ADA Compliant

