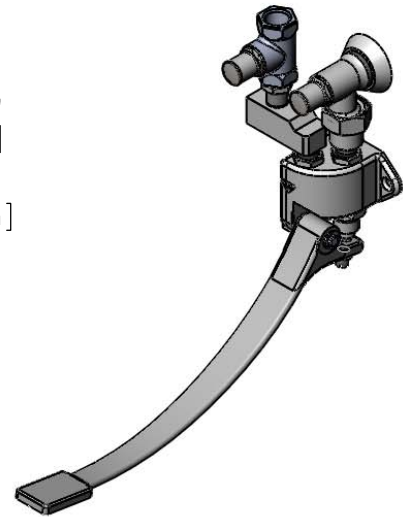
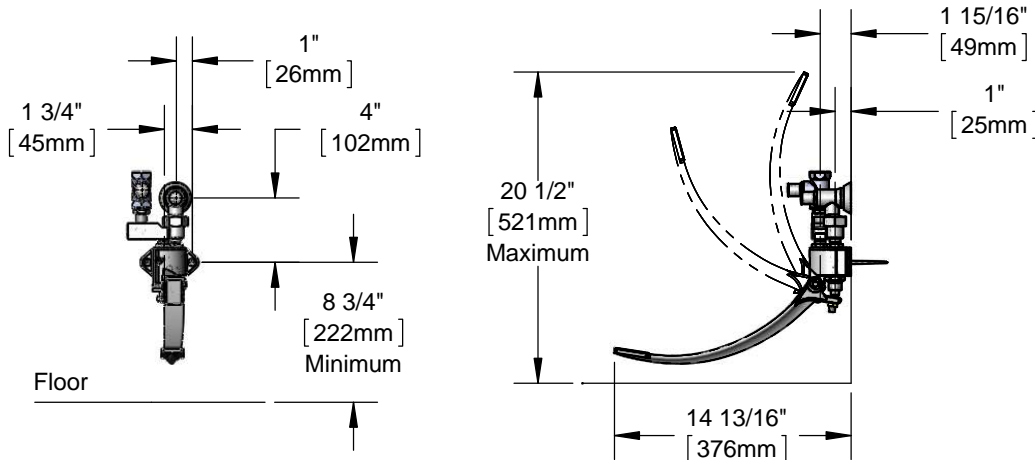




Architect/Engineering Specifications:

Wall mount single pedal valve with chrome plated solid brass body, adjustable height aluminum pedal, self-closing valve, 1/2" NPT female loose key angle stop inlet, 1/2" NPT female loose key straight volume control outlet and mounting screws. Certified to ASME A112.18.1/CSA B125.1, NSF 61-Section 9 and NSF 372.

Job Name _____
 Model Specified _____ Quantity _____
 Variations Specified _____
 Date _____



Features & Benefits:

- Wall mount single pedal valve
- Adjustable height blank pedal
- Pedal flips up for floor cleaning
- Self-closing valve
- 1/2" NPT female loose key angle stop inlet
- 1/2" NPT female loose key straight volume control outlet
- Includes mounting screws
- Material: Polished chrome brass valve and stop bodies, satin finish aluminum pedal

Product Compliance:

- ASME A112.18.1 / CSA B125.1
- NSF 61 - Section 9
- NSF 372 (Low Lead Content)
-



Warranty: One Year (Limited)

Performance Data:

- Pressure: 20 - 125 psi
- Temperature: 40°F - 140°F
- Flow Rate: 4.92 GPM @ 60 psi



Optional Cartridges

- Metering

