



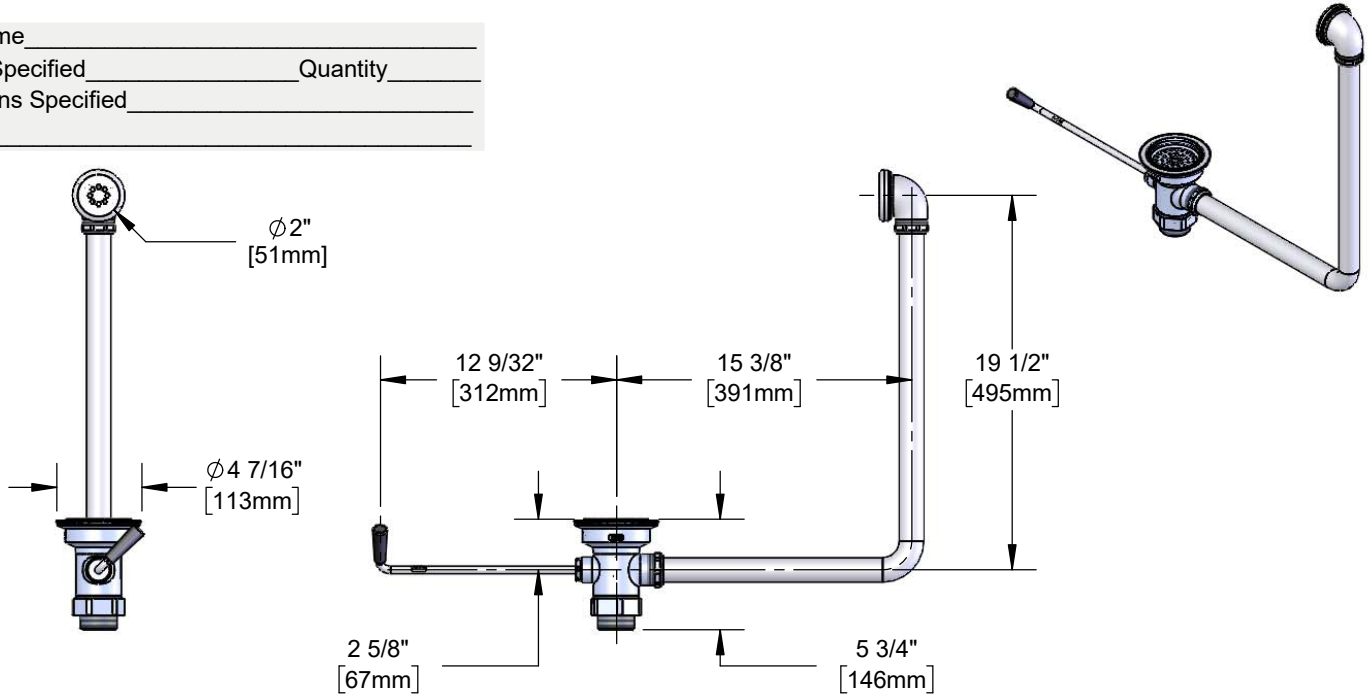
B-3950-01-SB

TAG:

Architect/Engineering Specifications:

Rotary waste valve for 3 1/2" sink opening with rough chrome plated body, 2" NPT male / 1 1/2" NPT female outlet, twist handle with heat resistant plastic grip, 2" NPT female x 1 1/2" BSP male adapter, snap-in removable strainer, removable strainer basket and overflow tube assembly. Certified to ASME A112.18.2/CSA B125.2

Job Name _____
 Model Specified _____ Quantity _____
 Variations Specified _____
 Date _____



Features & Benefits:

- Rotary waste valve for 3 1/2" sink opening w/ rough chrome plated body
- 2" NPT male / 1 1/2" NPT female outlet
- Twist handle w/ heat resistant plastic grip
- 2" NPT female x 1 1/2" NPT male adapter
- 3 1/2" snap-in removable strainer
- Removable strainer basket
- Overflow tube assembly out w/ head and elbow tube
- Material: Chrome plated brass body, adapter, overflow tube & overflow head and stainless steel handle, flat strainer & strainer basket

Product Compliance:

- ASME A112.18.1 / CSA B125.1



Warranty: One Year (Limited)



Performance Data:

- Discharge Rate: 17.14 GPM [64.88 L/min] max
- Temperature: 40°F -180°F [4.44°C -82.2°C]



T&S BRASS AND BRONZE WORKS, INC.



• 2 Saddleback Cove • Travelers Rest, SC 29690
 Ph 800-476-4103 • Fax 864-834-3518
 • Simi Valley, CA • Ph 800-423-0150 • www.tsbrass.com

Date: 02/09/23