



**Architect/Engineering Specifications:**

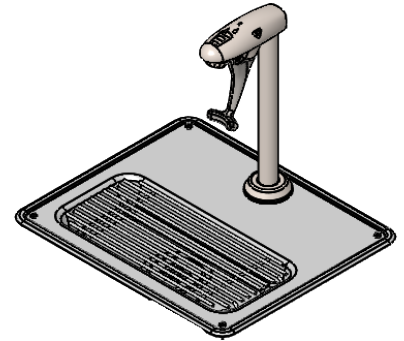
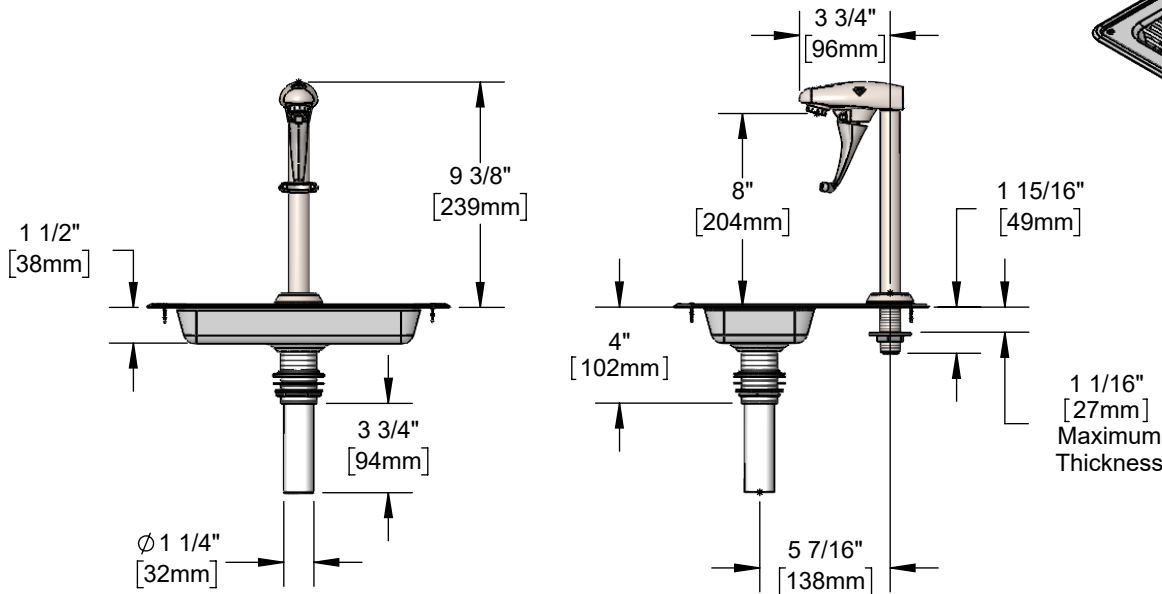
8" deck mount stainless steel water station with pedestal type stainless steel glass filler, adjustable stainless steel flow outlet, stainless steel push back actuation arm with VR screw, stainless steel pedestal with adjustable stainless steel deck flange, 18 gauge stainless steel drip pan with drop-in grid and 1 1/4" drain. Certified to ASME A112.18.1/CSA B125.1, NSF 61-Section 9 and NSF 372. Meets ADA ANSI/ICC A117.1 requirements.

Job Name \_\_\_\_\_

Model Specified \_\_\_\_\_ Quantity \_\_\_\_\_

Variations Specified \_\_\_\_\_

Date \_\_\_\_\_



**Features & Benefits:**

- Deck mount stainless steel water station
- 8" deck mount stainless steel glass filler w/ stainless steel body
- Torx wrench adjustable stainless steel flow outlet (wrench included)
- Stainless steel push back arm w/ VR screw & bit
- Instantaneous shut-off
- 1/2" NPT stainless steel male inlet
- Stainless steel pedestal w/ adjustable stainless steel  $\phi 2$ " flange
- Drip pan w/ drop-in grid
- 1 1/4" drain
- Material: Stainless steel body, pedestal flange, arm, 18 gauge drip pan and grid

**Product Compliance:**

- ASME A112.18.1 / CSA B125.1
- NSF 61 - Section 9
- NSF 372 (Low Lead Content)
- ANSI A117.1 (ADA)

**Warranty:** Lifetime (Limited)

**Performance Data:**

- Pressure: 20 - 125 psi [1.38 - 8.62 bar]
- Temperature: 40°F - 140°F [4.44°C - 60°C]
- Flow Rate: 0.25 GPM min [0.95 L/min] @ 60 psi [4.14 bar]  
2.25 GPM max [8.52 L/min] @ 60 psi [4.14 bar]
- Discharge Rate: 18.00 GPM [68.14 L/min]



ADA Compliant

