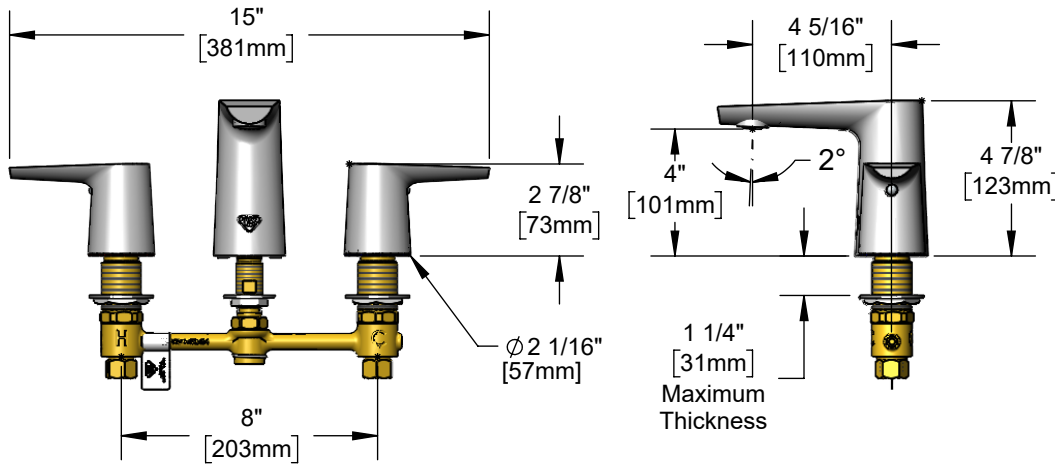
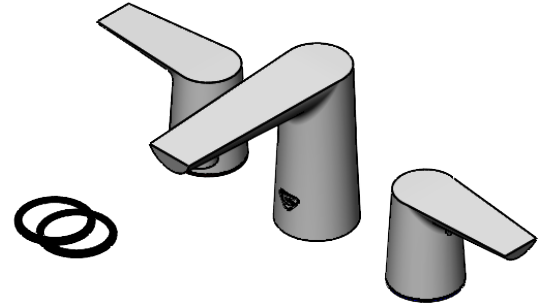




Architect/Engineering Specifications:

8" concealed widespread mixing faucet with forged brass body, polished chrome plated cast spout with vandal resistant 0.5 GPM concealed non-aerated spray device, ceramic cartridges with check valves, widespread lever handles, 1/2" NPSM male inlets with coupling nuts and 24" flexible stainless steel braided supply hoses with 3/8" compression fittings. Certified to ASME A112.18.1/CSA B125.1, NSF 61-Section 9 and NSF 372. Meets ADA ANSI/ICC A117.1 requirements.

Job Name _____
 Model Specified _____ Quantity _____
 Variations Specified _____
 Date _____



Features & Benefits:

- 8" EasyInstall concealed widespread mixing faucet w/ forged brass body
- Cast lavatory spout
- VR 0.5 GPM concealed non-aerated spray device
- Cerama cartridges w/ check valves
- Widespread lever handles w/ hot & cold index rings
- 1/2" NPSM male inlets w/ coupling nuts
- 24" flexible stainless steel braided supply hoses w/ 3/8" compression fittings
- Material: Forged brass body, polished chrome plated handles & polished chrome plated cast brass spout

Product Compliance:

- ASME A112.18.1 / CSA B125.1
- NSF 61 - Section 9
- NSF 372 (Low Lead Content)
- ANSI A117.1 (ADA)

Warranty: One Year (Limited)

- Cerama Cartridge: Lifetime (Limited)

Performance Data:

- Pressure: 20 - 125 psi [1.38 - 8.62 bar]
- Temperature: 40°F -140°F [4.44°C - 60.0°C]
- Flow Rate: 0.5 GPM [1.89 L/min] @ 60 psi [4.14 bar]



ADA Compliant

Optional Outlets (M21 Series)

GPM	VR Aerated	VR Non-Aerated (VR Laminar)
0.35	<input type="checkbox"/> N/A	<input type="checkbox"/> B-0199-M21-V035
0.5	<input type="checkbox"/> N/A	Standard
1.0	<input type="checkbox"/> B-0199-M21-V10	<input type="checkbox"/> B-0199-M21-VL10
1.5	<input type="checkbox"/> B-0199-M21-V15	<input type="checkbox"/> B-0199-M21-VL15

