

*This Space for Architect/Engineer Approval*

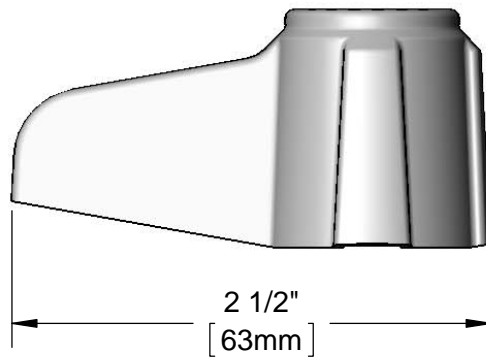
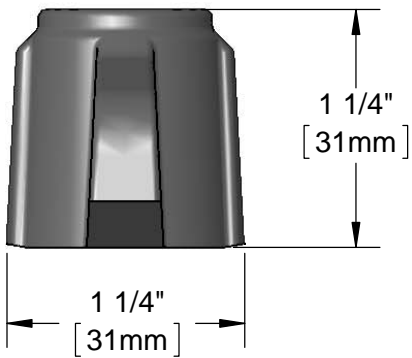
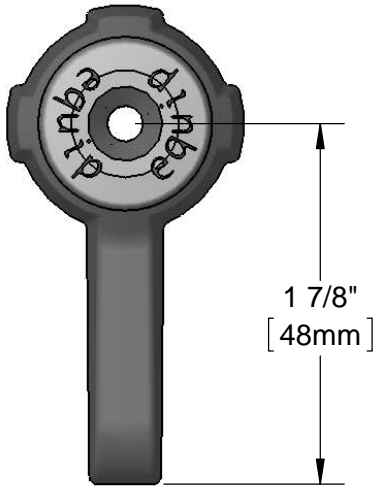
Job Name \_\_\_\_\_ Date \_\_\_\_\_

Model Specified \_\_\_\_\_ Quantity \_\_\_\_\_

Customer/Wholesaler \_\_\_\_\_

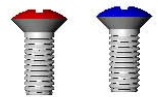
Contractor \_\_\_\_\_

Architect/Engineer \_\_\_\_\_



**5-HDL-L INCLUDES:**

- 1 "equip" Lever Handle
- 1 Stainless Steel Screw, Color Coded (Red) w/ Self-Locking Patch
- 1 Stainless Steel Screw, Color Coded (Blue) w/ Self-Locking Patch



|   |  |
|---|--|
| <p>Model Number</p> <p style="text-align: center;"><b>5-HDL-L</b></p> | <p>Product Specifications:</p> <p style="text-align: center;"><b>"equip" Lever Handle Kit<br/>w/ (2) Color Coded Screws<br/>(1-Red &amp; 1-Blue)</b></p>   |
| <p>Product Compliance:</p>  | <div style="display: flex; justify-content: space-between; align-items: center;"> <div data-bbox="600 1906 738 1980"> <p>equip<br/>Foodservice<br/>Accessories</p> </div> <div data-bbox="743 1858 1096 2034"> </div> <div data-bbox="1101 1896 1550 1997"> <p>2 Saddleback Cove, P.O. Box 1088<br/>Travelers Rest, South Carolina 29690<br/>Phone: 800.891.4808 Fax: 800.868.0084<br/>equip.tsbrass.com</p> </div> </div> |