



Architect/Engineering Specifications:

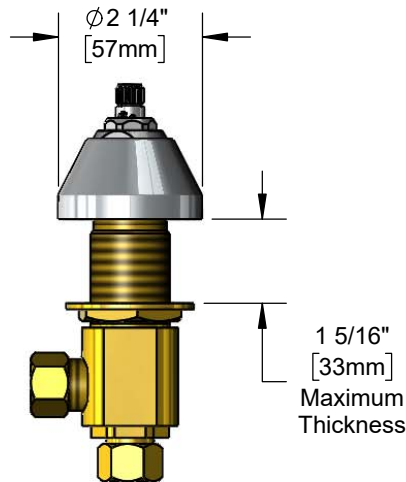
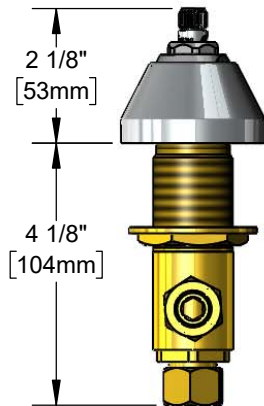
Concealed deck mount side body, compression cartridge with spring check, less handle, chrome plated escutcheon and 1/2" NPSM male inlet. Certified to ASME A112.18.1/CSA B125.1, NSF 61-Section 9 and NSF 372.

Job Name _____

Model Specified _____ Quantity _____

Variations Specified _____

Date _____



Features & Benefits:

- Concealed deck mount side body, hot
- Less handle
- Quarter-turn Eterna compression cartridge w/ spring check to prevent cross flow of water
- 1/2" NPSM male inlet with coupling nut
- Material: Brass body & chrome plated metal escutcheon

Product Compliance:

- ASME A112.18.1 / CSA B125.1
- NSF 61 - Section 9
- NSF 372 (Low Lead Content)



Warranty: One Year (Limited)



Performance Data:

- Pressure: 20 - 125 psi
- Temperature: 40 °F - 140 °F
- Flow Rate: 11.25 GPM @ 60 psi

(Outlet Device &/or Final Configuration May Reduce Flow Rate)

Optional Cartridges

- Quarter-Turn Cerama w/ Check Valve
- Quarter-Turn Eterna w/ Spring Check (Standard)
- Push Button Metering
- Pivot Action Metering
- Wrist Action Metering

