



Architect/Engineering Specifications:

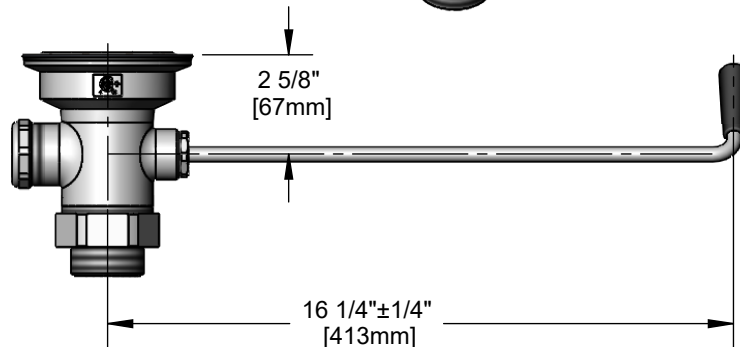
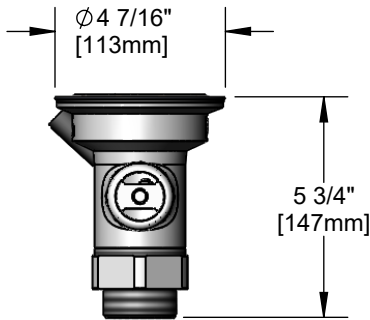
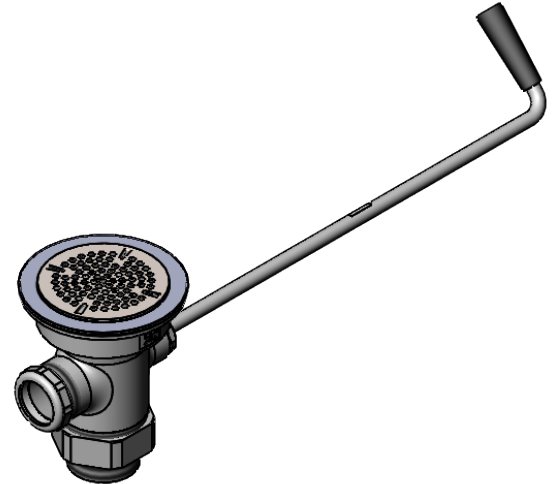
Rotary waste valve for 3 1/2" sink opening with rough chrome plated body, 2" NPT male outlet / 1 1/2" NPT female outlet, long twist handle with heat resistant plastic grip, 2" NPT female x 1 1/2" NPT male adapter, 3 1/2" snap-in strainer and overflow outlet with cap. Certified to ASME A112.18.2/CSA B125.2

Job Name _____

Model Specified _____ Quantity _____

Variations Specified _____

Date _____



Features & Benefits:

- Rotary waste valve for 3 1/2" sink opening w/ rough chrome plated body
- 2" NPT male outlet / 1 1/2" NPT female outlet
- Long twist handle w/ heat resistant plastic grip
- 2" NPT female x 1 1/2" NPT male adapter
- 3 1/2" snap-in strainer
- Overflow outlet w/ cap & sealing washer
- Material: Rough chrome plated brass body & adapter and stainless steel handle & flat strainer

Product Compliance:

- ASME A112.18.2 / CSA B125.2



Warranty: One Year (Limited)

Performance Data:

- Discharge Rate: 17.14 GPM [64.88 L/min] max
- Temperature: 40° F - 180°F [4.44° C - 82.2°C]

