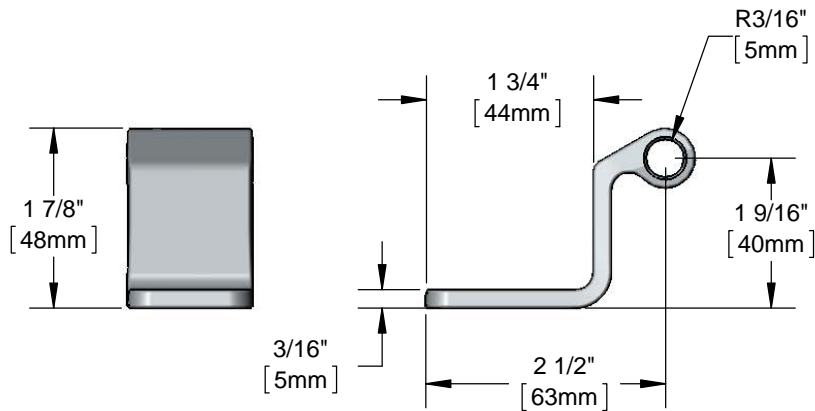




Architect/Engineering Specifications:

Blank foot pedal, rough chrome plated brass

Job Name _____
 Model Specified _____ Quantity _____
 Variations Specified _____
 Date _____



Features & Benefits:

- Blank Foot pedal
- Material: Rough chrome plated brass

Product Compliance:

- N/A

Warranty: One Year (Limited)

Performance Data:

- N/A

