



# T&S BRASS AND BRONZE WORKS, INC.

2 Saddleback Cove / P.O. Box 1088  
Travelers Rest, SC 29690

Model No.

**B-2386**

Item No.

Travelers Rest, SC: 800-476-4103 • Simi Valley, CA: 800-423-0150 • Fax: 864-834-3518 • www.tsbrass.com

This Space for Architect/Engineer Approval

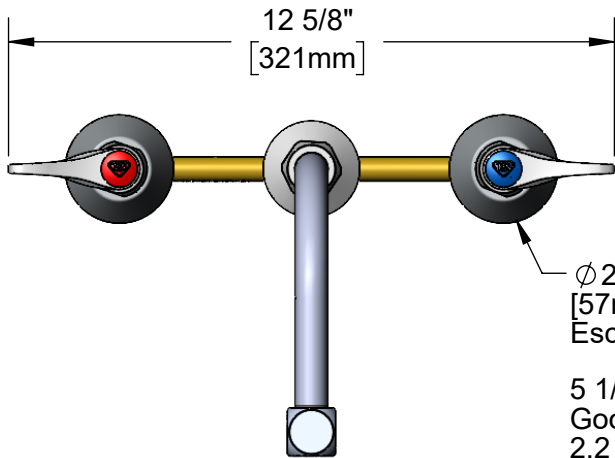
Job Name \_\_\_\_\_ Date \_\_\_\_\_

Model Specified \_\_\_\_\_ Quantity \_\_\_\_\_

Customer/Wholesaler \_\_\_\_\_

Contractor \_\_\_\_\_

Architect/Engineer \_\_\_\_\_



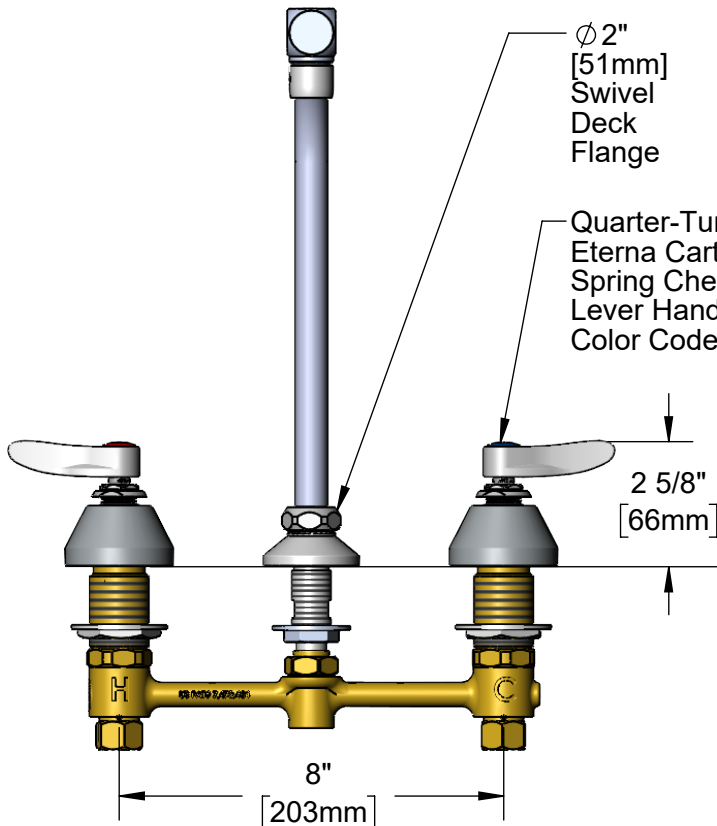
12 5/8"  
[321mm]

Ø 2 1/4"  
[57mm]  
Escutcheons

5 1/2" High-Arc Swivel/Rigid  
Gooseneck w/ B-0199-01  
2.2 GPM Aerator.  
Rigid Conversion  
Requires 014200-45  
Lock Washer (Included)



**ADA Compliant**



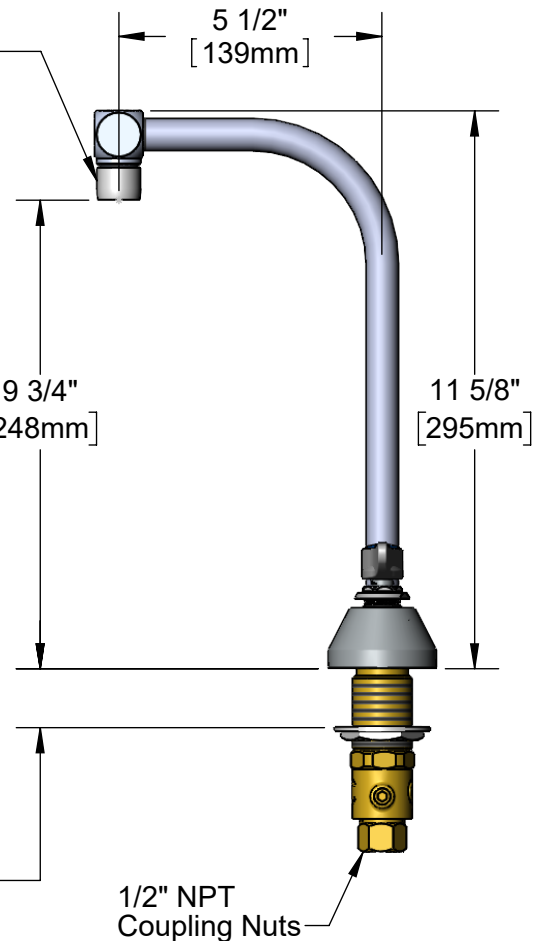
Ø 2"  
[51mm]  
Swivel  
Deck  
Flange

Quarter-Turn  
Eterna Cartridges w/  
Spring Checks &  
Lever Handles w/  
Color Coded Indexes

2 5/8"  
[66mm]

Mounting  
Surface

1 1/4"  
[31mm]  
Maximum  
Thickness



5 1/2"  
[139mm]

9 3/4"  
[248mm]

11 5/8"  
[295mm]

1/2" NPT  
Coupling Nuts

**Rough-In Requirement:**  
Ø 1" [25mm] for Center Shank  
Ø 1-1/2" [38mm] for Hot/Cold Side

**Product Specifications:**  
8" Concealed Widespread EasyInstall Mixing Faucet, Quarter-Turn Eterna Cartridges w/ Spring Checks, Lever Handles & 5 1/2" High-Arc Swivel/Rigid Gooseneck w/ 2.2 GPM Aerator

**Product Compliance:**  
ASME A112.18.1 / CSA B125.1  
NSF 61 - Section 9  
NSF 372 (Low Lead Content)  
ANSI A117.1 (ADA)



# T&S BRASS AND BRONZE WORKS, INC.

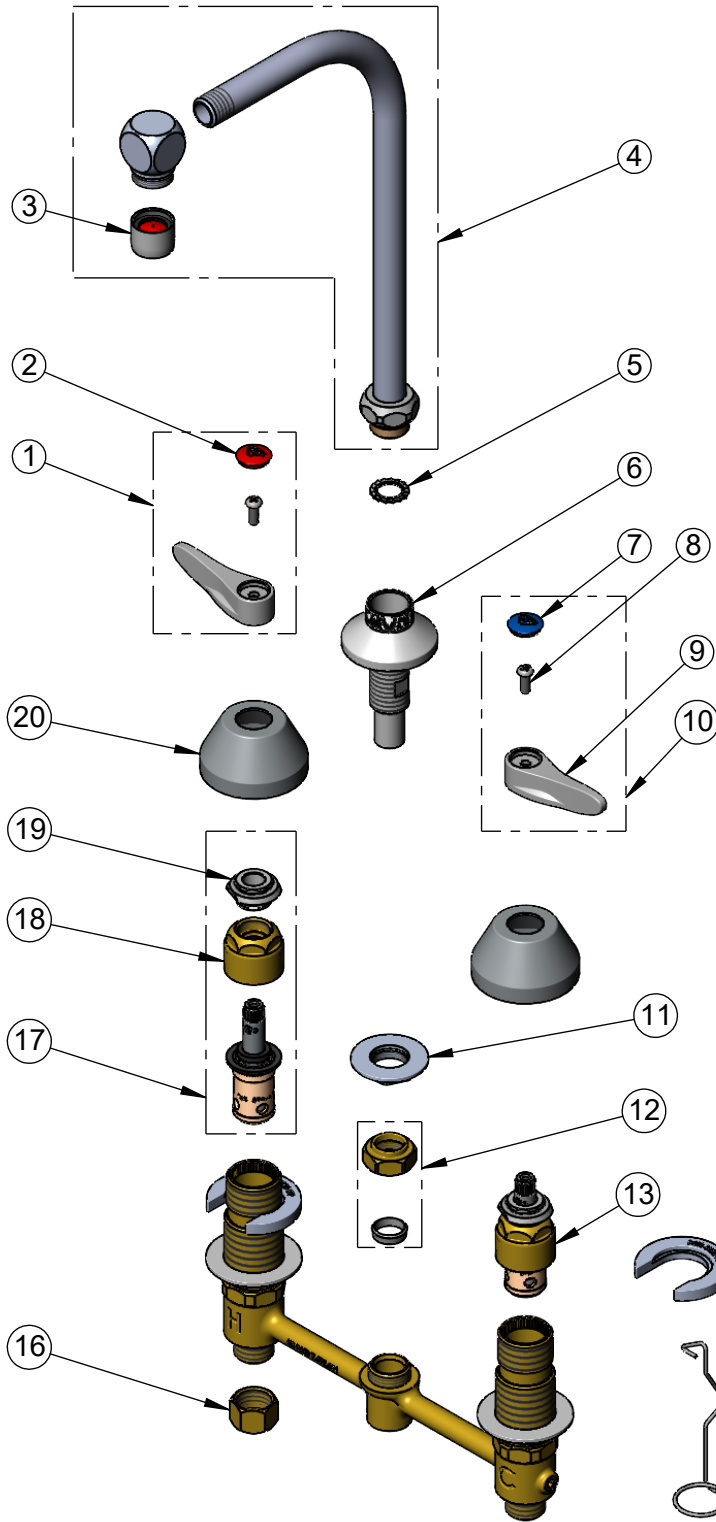
2 Saddleback Cove / P.O. Box 1088  
Travelers Rest, SC 29690

Model No.

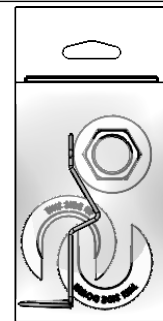
**B-2386**

Item No.

Travelers Rest, SC: 800-476-4103 • Simi Valley, CA: 800-423-0150 • Fax: 864-834-3518 • www.tsbrass.com



ITEM NO.	SALES NO.	DESCRIPTION
1	001637-45NS	Lever Handle, Red Index & Screw
2	001193-19NS	Red Button Index, Press-in
3	B-0199-01	2.2 GPM Aerator, 55/64-27 UN Female
4	010094-40	5 1/2" High-Arc Swivel/Rigid Gooseneck w/ 2.2 GPM Aerator
5	014200-45	Star Washer, Anti-Rotation
6	016754-40	EasyInstall CWS Swivel Center Shank
7	018506-19NS	Blue Button Index, Press-in
8	000925-45	Lab Handle Screw
9	001638-45NS	Lever Handle (New Style)
10	001636-45NS	Lever Handle, Blue Index & Screw
11	016742-45	Center Flange Nut
12	016745-45	Compression Nut & Fitting
13	016752-40NS	EasyInstall, CWS Quarter-Turn Eterna Cartridge w/ Spring Check, LTC
14	016749-45	C-Washer
15	016777-45	CWS Hanger
16	000958-20	Coupling Nut
17	016753-40NS	EasyInstall, CWS Quarter-Turn Eterna Cartridge w/ Spring Check, RTC
18	016743-20	CWS Bonnet
19	009002-40NS	Packing Assembly (New Style)
20	001257-40NS	Bell Escutcheon



017245-40  
Installation Repair Kit  
Includes #11, (2)#14, & #15

**Product Specifications:**

8" Concealed Widespread EasyInstall Mixing Faucet, Quarter-Turn Eterna Cartridges w/ Spring Checks, Lever Handles & 5 1/2" High-Arc Swivel/Rigid Gooseneck w/ 2.2 GPM Aerator

**Product Compliance:**

ASME A112.18.1 / CSA B125.1  
NSF 61 - Section 9  
NSF 372 (Low Lead Content)  
ANSI A117.1 (ADA)