



Architect/Engineering Specifications:

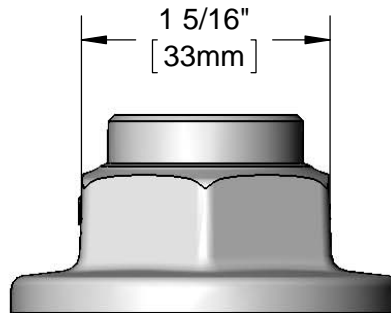
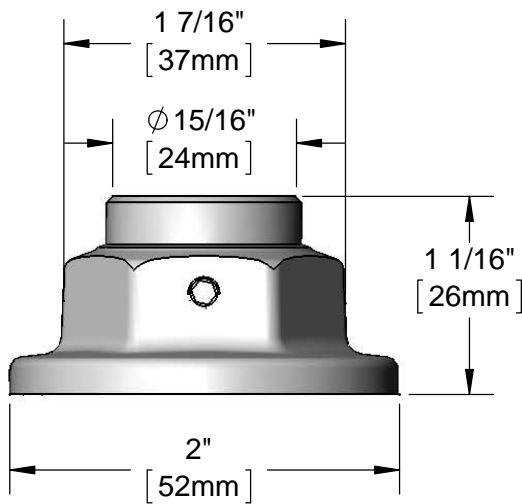
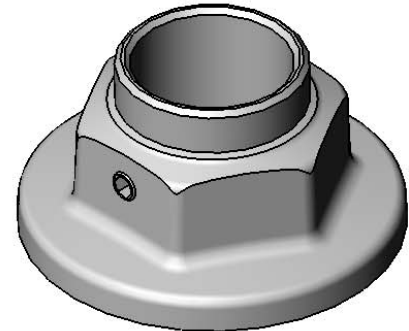
Ø2" Adjustable slip flange for 1/2" NPT pipe, with polished chrome plated brass body.

Job Name _____

Model Specified _____ Quantity _____

Variations Specified _____

Date _____



Features & Benefits:

- Ø2" Adjustable slip flange for 1/2" NPT pipe
- Pipe must be held rigid under with with connection fittings, brace, etc.
- Material: Polished chrome plated brass body

Product Compliance:

- N/A

Warranty: One Year (Limited)

Performance Data:

- N/A

