



T&S BRASS AND BRONZE WORKS, INC.

2 Saddleback Cove / P.O. Box 1088
Travelers Rest, SC 29690

Model No.

B-2991

Item No.

Travelers Rest, SC: 800-476-4103 • Simi Valley, CA: 800-423-0150 • Fax: 864-834-3518 • www.tsbrass.com



ADA Compliant

This Space for Architect/Engineer Approval

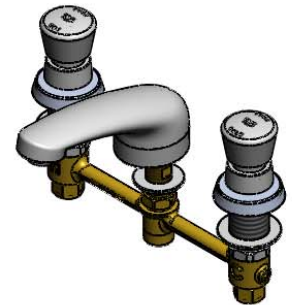
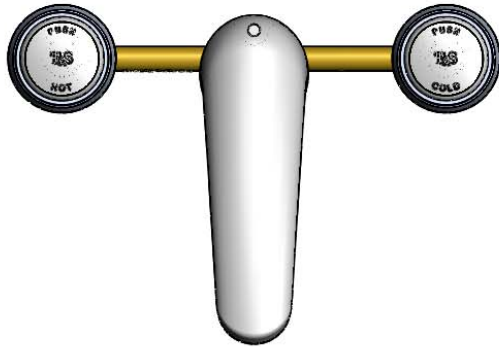
Job Name _____ Date _____

Model Specified _____ Quantity _____

Customer/Wholesaler _____

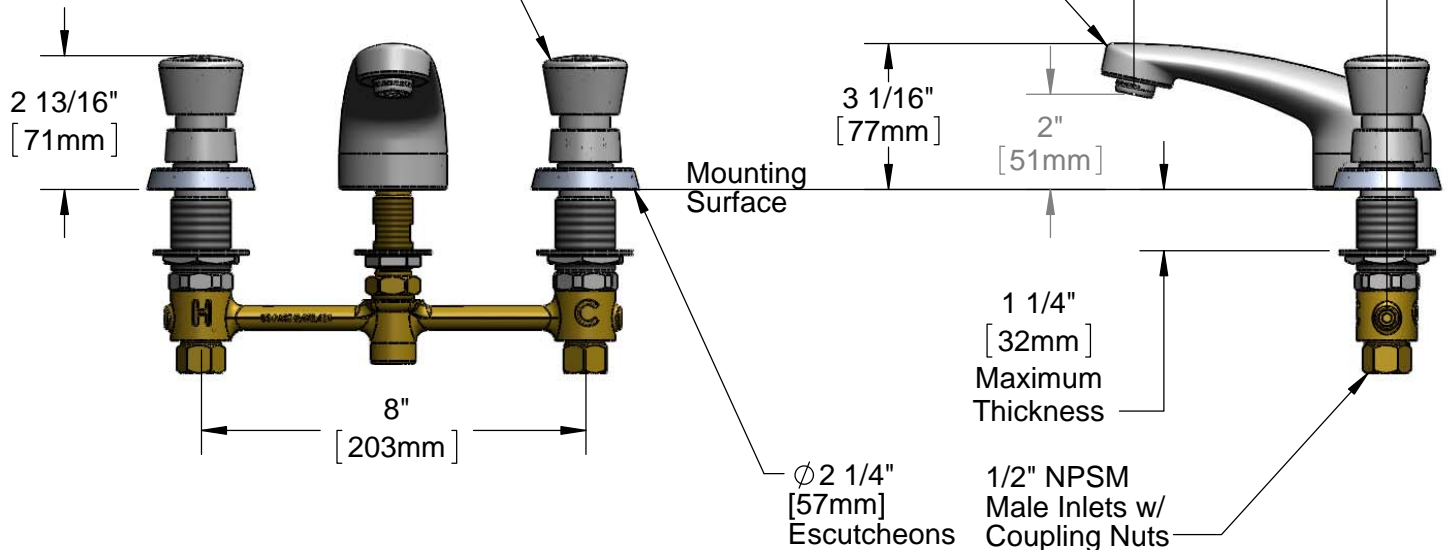
Contractor _____

Architect/Engineer _____



Metering Cartridges & Push Button Metering Caps

Lavatory Spout w/
B-0199-03
2.2 GPM Aerator



Rough-In Requirement:
Center Shank: ϕ 1" [25mm] Mounting Hole
Hot/Cold Side: ϕ 1 1/2" [38mm] Mounting Holes

Product Specifications:
8" Deck Mount EasyInstall Lavatory Faucet, Push Button Handles, Metering Cartridges, Lavatory Spout w/ 2.2 GPM Aerator & 1/2" NPSM Male Inlets

Product Compliance:
ASME A112.18.1 / CSA B125.1
NSF 61 - Section 9
NSF 372 (Low Lead Content)
ANSI A117.1 (ADA)



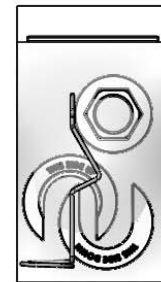
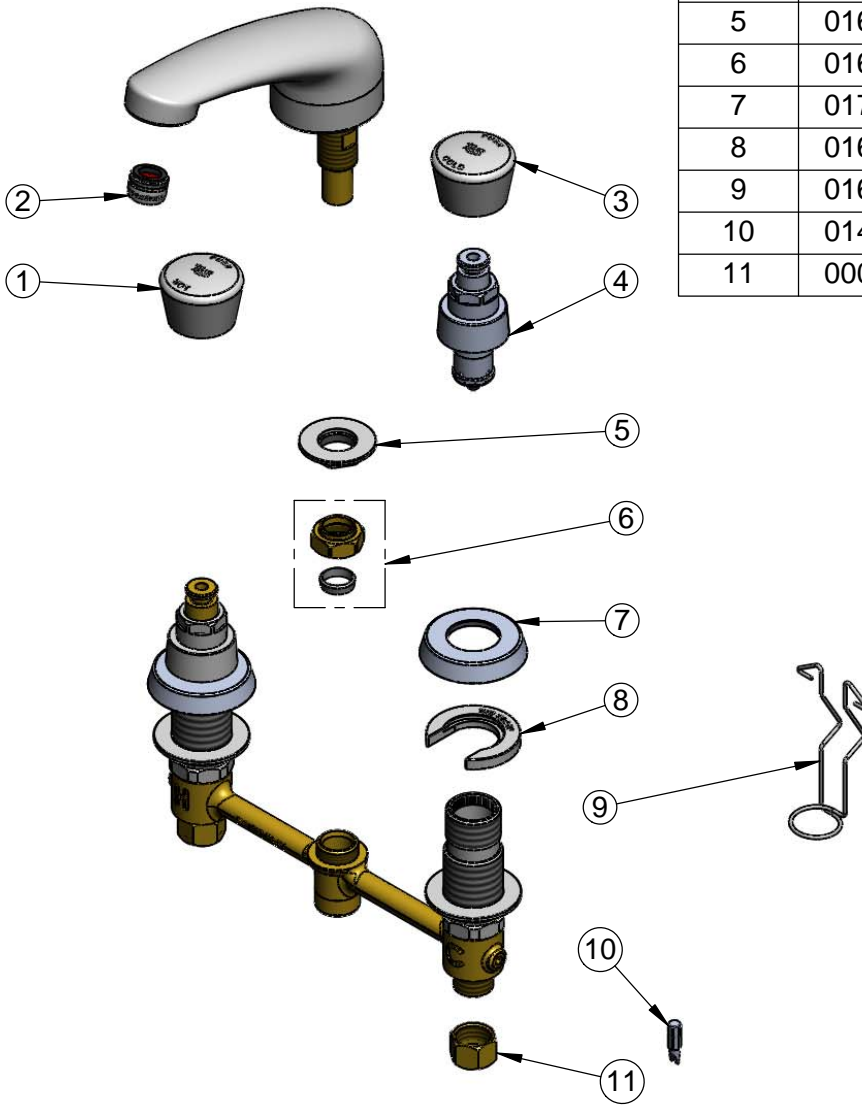
T&S BRASS AND BRONZE WORKS, INC.
 2 Saddleback Cove / P.O. Box 1088
 Travelers Rest, SC 29690

Model No.
B-2991

Item No.

Travelers Rest, SC: 800-476-4103 • Simi Valley, CA: 800-423-0150 • Fax: 864-834-3518 • www.tsbrass.com

ITEM NO.	SALES NO.	DESCRIPTION
1	014194-40	Hot Cap
2	B-0199-03	2.2 GPM Aerator
3	014195-40	Cold Cap
4	238A	Push Button Metering Cartridge
5	016742-45	Center Flange Nut
6	016745-45	Compression Nut & Fitting
7	017292-45	Metering CWS Escutcheon
8	016749-45	Sidebody C-Washer
9	016777-45	CWS Hanger
10	014734-45	#8 Spanner Bit
11	000958-20	Coupling Nut



017245-40
 Installation Repair Kit
 Includes #5, (2)#8, & #9

Product Specifications:
 8" Deck Mount EasyInstall Lavatory Faucet, Push Button Handles, Metering Cartridges, Lavatory Spout w/ 2.2 GPM Aerator & 1/2" NPSM Male Inlets

Product Compliance:
 ASME A112.18.1 / CSA B125.1
 NSF 61 - Section 9
 NSF 372 (Low Lead Content)
 ANSI A117.1 (ADA)