



Architect/Engineering Specifications:

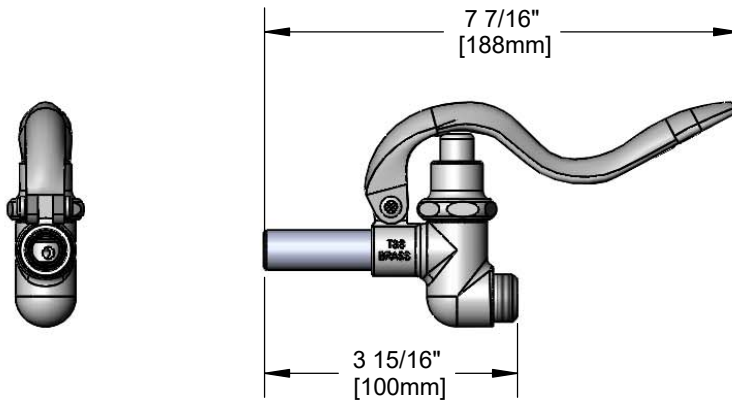
Self-closing spray valve with plain end straight nozzle, polished chrome plated brass body and 3/4-14 UN male inlet. Compliant to ASME A112.18.1/CSA B125.1, NSF 61-Section 9 and NSF 372.

Job Name \_\_\_\_\_

Model Specified \_\_\_\_\_ Quantity \_\_\_\_\_

Variations Specified \_\_\_\_\_

Date \_\_\_\_\_



Features & Benefits:

- Designed for heavy-duty use in industrial kitchens
- Self-closing spray valve with plain end straight nozzle
- Hold down ring
- 3/4-14 UN male inlet
- Material: Polished chrome plated brass spray valve body and tubular spout

Product Compliance:

- ASME A112.18.1 / CSA B125.1
- NSF 61 - Section 9
- NSF 372 (Low Lead Content)
- 2019 DOE PRSV Non-Compliant
- Product Not Designed/Intended For Commercial Warewashing In North America



Warranty: One Year (Limited)

Performance Data:

- Pressure: 20 - 125 psi [1.38 - 8.62 bar]
- Temperature: 40 °F - 140 °F [4.44 °C - 60 °C]
- Flow Rate: 8.10 GPM [30.66 L/min] @ 60 psi [4.14 bar]

