



# T&S BRASS AND BRONZE WORKS, INC.

2 Saddleback Cove / P.O. Box 1088  
Travelers Rest, SC 29690

Model No.  
B-0871-VR-CH-QT

Item No.

Travelers Rest, SC: 800-476-4103 • Simi Valley, CA: 800-423-0150 • Fax: 864-834-3518 • www.tsbrass.com



**ADA Compliant**

This Space for Architect/Engineer Approval

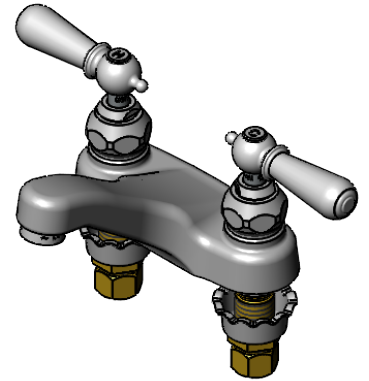
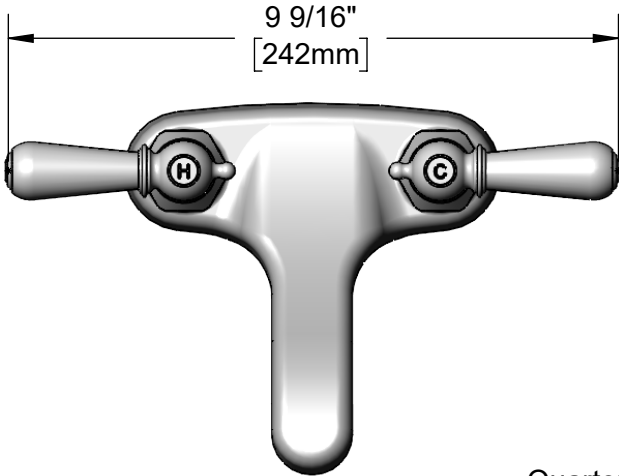
Job Name \_\_\_\_\_ Date \_\_\_\_\_

Model Specified \_\_\_\_\_ Quantity \_\_\_\_\_

Customer/Wholesaler \_\_\_\_\_

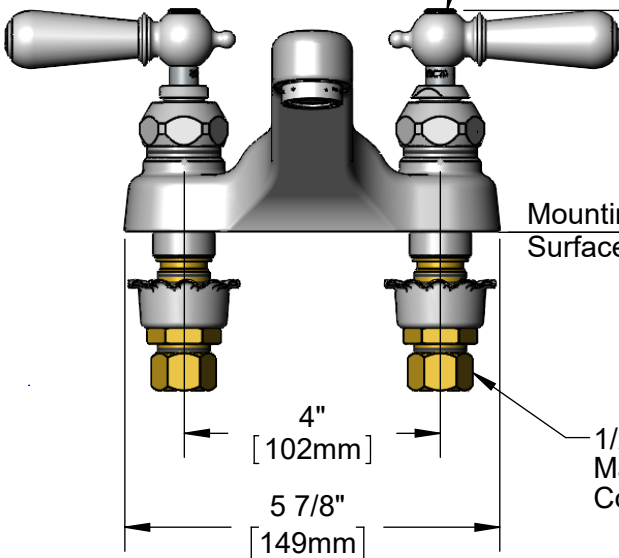
Contractor \_\_\_\_\_

Architect/Engineer \_\_\_\_\_



Quarter-Turn Eterna Cartridges  
w/ Spring Checks &  
Decorative Club Handles w/  
VR Screws & Coded Indexes

B-0199-08  
2.2 GPM VR Aerator



Mounting  
Surface

3 7/16"  
[88mm]

4 1/4"  
[108mm]

2"  
[51mm]

3/4"  
[19mm]  
Maximum  
Thickness

1/2" NPSM  
Male Inlets w/  
Coupling Nuts

4"  
[102mm]

5 7/8"  
[149mm]

2 1/8"  
[54mm]

**Rough-In Requirement:**  
(2)  $\phi$  1 1/8" [29mm] Mounting Holes

**Product Specifications:**

4" Centerset Deck Mount Faucet, Quarter-Turn Eterna Cartridges w/ Spring Checks, Decorative Club Handles w/ VR Screws, 2.2 GPM VR Aerator & 1/2" NPSM Male Inlets w/ Coupling Nuts

**Product Compliance:**

ASME A112.18.1 / CSA B125.1  
NSF 61 - Section 9  
NSF 372 (Low Lead Content)  
ANSI A117.1 (ADA)



# T&S BRASS AND BRONZE WORKS, INC.

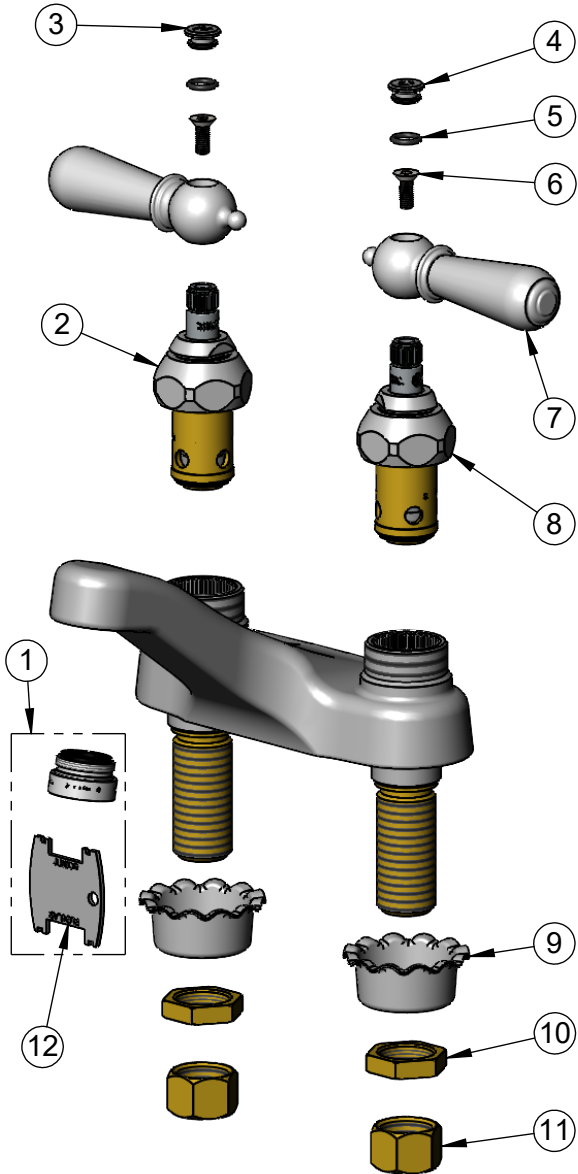
2 Saddleback Cove / P.O. Box 1088  
Travelers Rest, SC 29690

Model No.  
B-0871-VR-CH-QT

Item No.

Travelers Rest, SC: 800-476-4103 • Simi Valley, CA: 800-423-0150 • Fax: 864-834-3518 • www.tsbrass.com

ITEM NO.	SALES NO.	DESCRIPTION
1	B-0199-08	VR 2.2 GPM Aerator, 13/16-27 UN Male w/ Key
2	012442-40NS	Quarter-Turn Eterna Cartridge w/ Spring Check, RTC
3	009303-41	Decorative Cap Insert, Hot
4	009304-41	Decorative Cap Insert, Cold
5	001065-45	O-Ring
6	B-VRS	Pin-In-Socket Screw w/ Hex Key
7	017229-45	Decorative Club Handle
8	012443-40NS	Quarter-Turn Eterna Cartridge w/ Spring Check, LTC
9	001000-45	Rosette Washer
10	002954-45	Shank Lock Nut
11	000958-20	Coupling Nut
12	015425-45	Vandal Resistant Key



010587-45  
VR Hex Key

**Product Specifications:**

4" Centerset Deck Mount Faucet, Quarter-Turn Eterna Cartridges w/ Spring Checks, Decorative Club Handles w/ VR Screws, 2.2 GPM VR Aerator & 1/2" NPSM Male Inlets w/ Coupling Nuts

**Product Compliance:**

ASME A112.18.1 / CSA B125.1  
NSF 61 - Section 9  
NSF 372 (Low Lead Content)  
ANSI A117.1 (ADA)