



# T&S BRASS AND BRONZE WORKS, INC.

2 Saddleback Cove / P.O. Box 1088  
Travelers Rest, SC 29690

Model No.

**B-0503**

Item No.

Travelers Rest, SC: 800-476-4103 • Simi Valley, CA: 800-423-0150 • Fax: 864-834-3518 • www.tsbrass.com

This Space for Architect/Engineer Approval

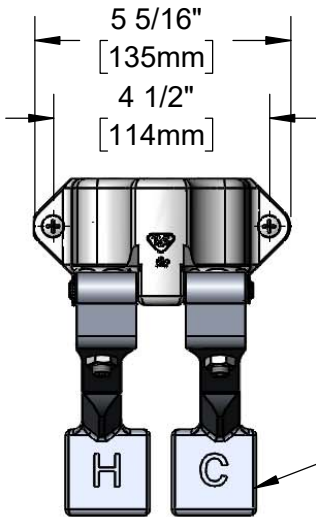
Job Name \_\_\_\_\_ Date \_\_\_\_\_

Model Specified \_\_\_\_\_ Quantity \_\_\_\_\_

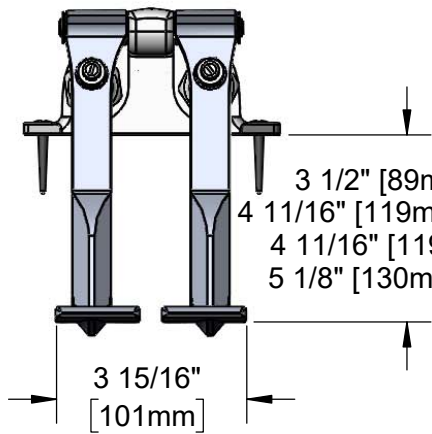
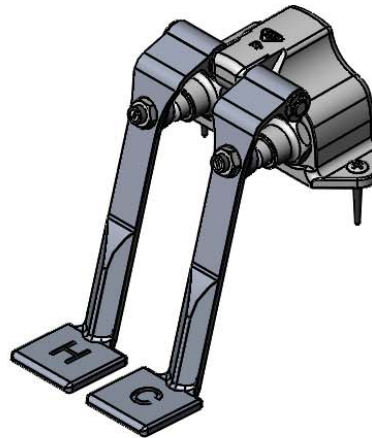
Customer/Wholesaler \_\_\_\_\_

Contractor \_\_\_\_\_

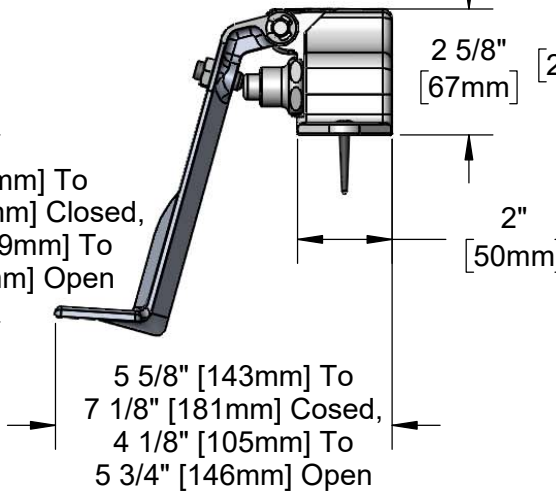
Architect/Engineer \_\_\_\_\_



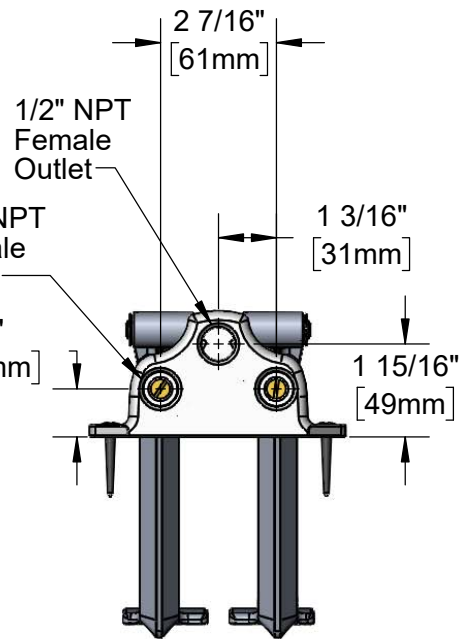
B-0505 Style  
Cast Aluminum  
Foot Pedals



3 1/2" [89mm] To  
4 11/16" [119mm] Closed,  
4 11/16" [119mm] To  
5 1/8" [130mm] Open



5 5/8" [143mm] To  
7 1/8" [181mm] Closed,  
4 1/8" [105mm] To  
5 3/4" [146mm] Open



**Product Specifications:**

Ledge Mounted Double Pedal Valve w/ 1/2" NPT Female Inlets & Outlet

**Product Compliance:**

ASME A112.18.1 / CSA B125.1  
NSF 61 - Section 9  
NSF 372 (Low Lead Content)



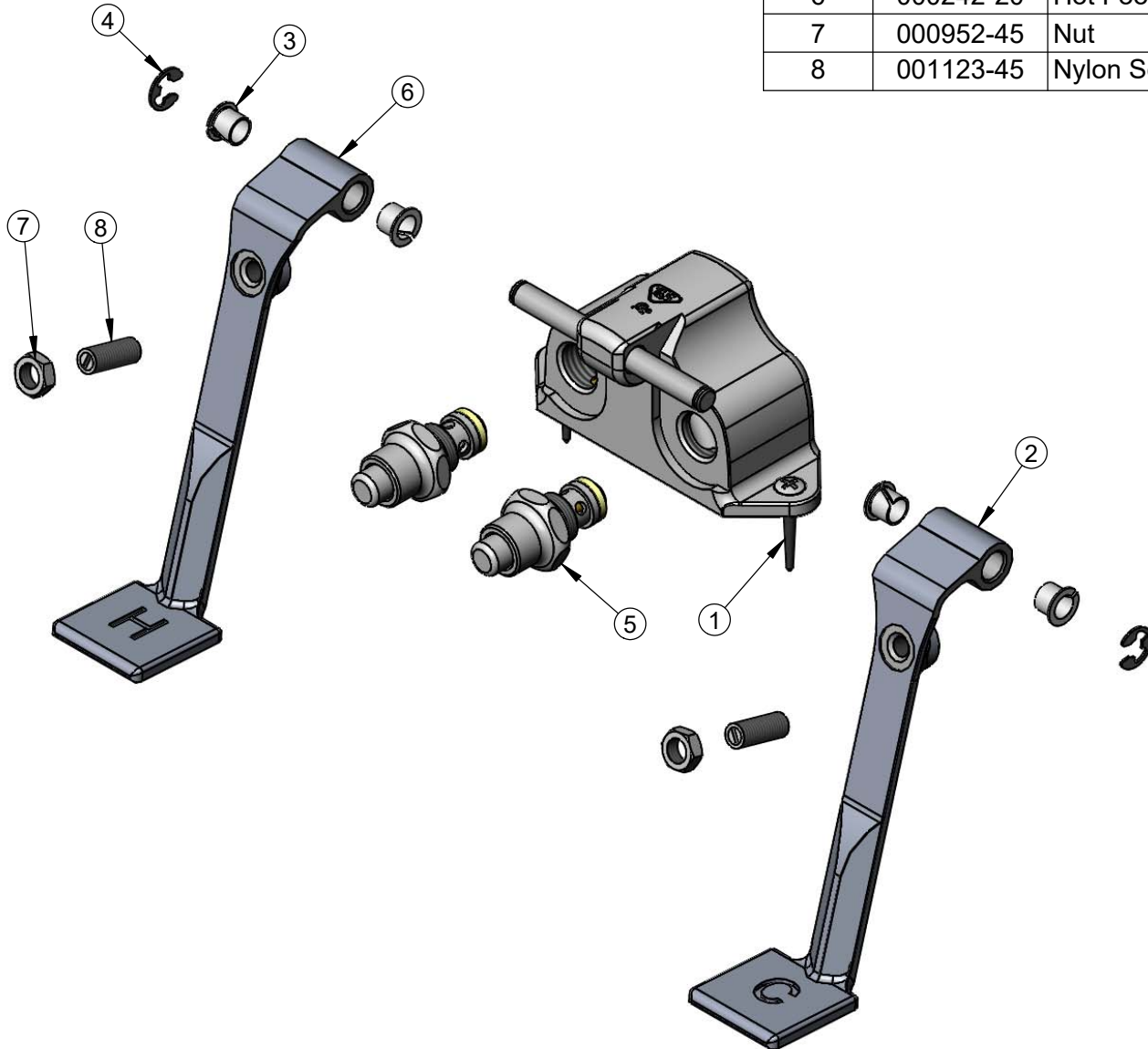
**T&S BRASS AND BRONZE WORKS, INC.**  
 2 Saddleback Cove / P.O. Box 1088  
 Travelers Rest, SC 29690

Model No.  
**B-0503**

Item No.

Travelers Rest, SC: 800-476-4103 • Simi Valley, CA: 800-423-0150 • Fax: 864-834-3518 • www.tsbrass.com

ITEM NO.	SALES NO.	DESCRIPTION
1	000915-45	Mounting Screw
2	000241-20	Cold Foot Pedal
3	001602-45	Bushing, Pedal valve
4	012512-45	E-clip Retaining Ring
5	005312-40	Pedal Valve Bonnet
6	000242-20	Hot Foot Pedal
7	000952-45	Nut
8	001123-45	Nylon Set Screw



Product Specifications:  
 Ledge Mounted Double Pedal Valve w/ 1/2" NPT Female Inlets & Outlet

Product Compliance:  
 ASME A112.18.1 / CSA B125.1  
 NSF 61 - Section 9  
 NSF 372 (Low Lead Content)