



Architect/Engineering Specifications:

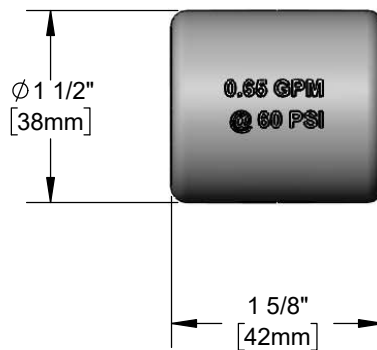
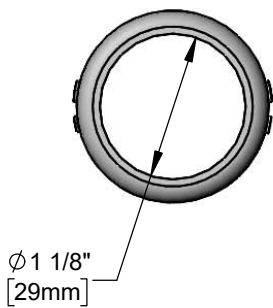
0.65 GPM grey shield and bumper guard for B-0107-C spray valve.

Job Name \_\_\_\_\_

Model Specified \_\_\_\_\_ Quantity \_\_\_\_\_

Variations Specified \_\_\_\_\_

Date \_\_\_\_\_



Features & Benefits:

- 0.65 GPM grey shield and bumper guard for B-107-C spray valve
- Material: Rubber

Product Compliance:

- N/A

Warranty: One Year (Limited)

Performance Data:

- N/A

