



# T&S BRASS AND BRONZE WORKS, INC.

2 Saddleback Cove / P.O. Box 1088  
Travelers Rest, SC 29690

Model No.

**B-0834**

Item No.

Travelers Rest, SC: 800-476-4103 • Simi Valley, CA: 800-423-0150 • Fax: 864-834-3518 • www.tsbrass.com



**ADA Compliant**

This Space for Architect/Engineer Approval

Job Name \_\_\_\_\_ Date \_\_\_\_\_

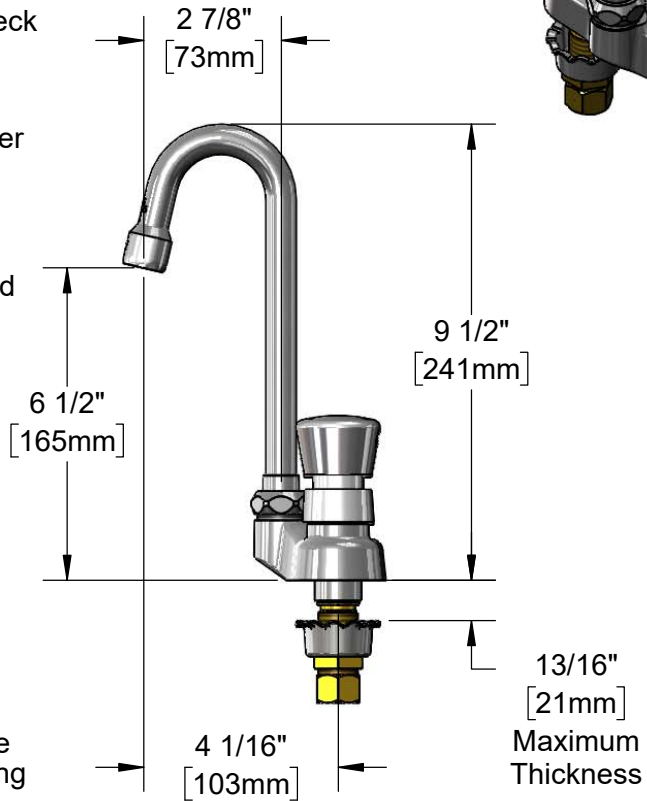
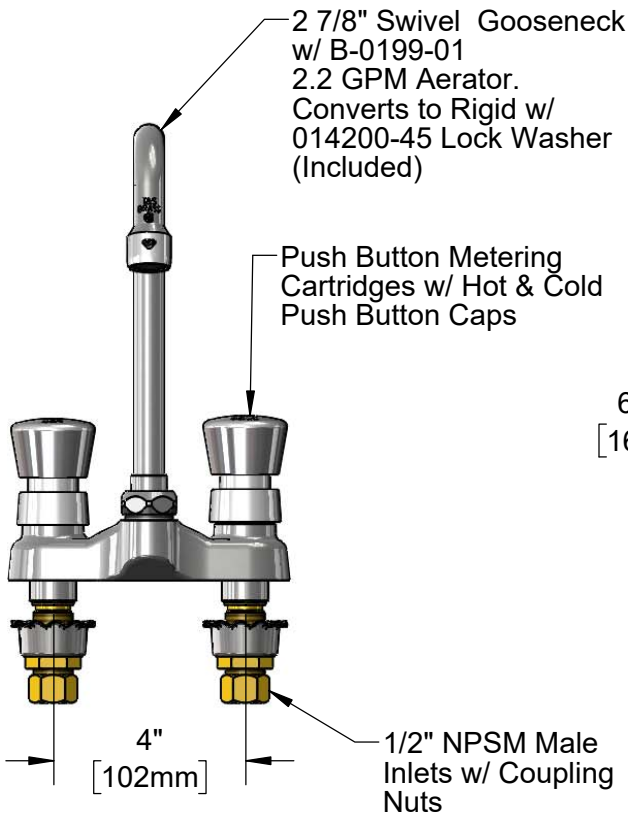
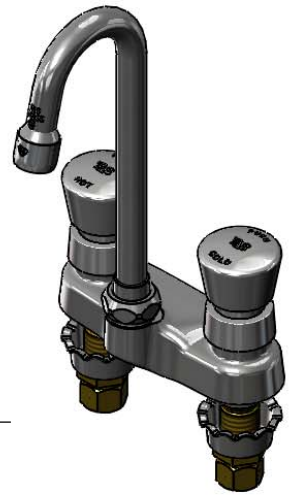
Model Specified \_\_\_\_\_ Quantity \_\_\_\_\_

Customer/Wholesaler \_\_\_\_\_

Contractor \_\_\_\_\_

Architect/Engineer \_\_\_\_\_

Furnished w/ 014734-45 Spanner Bit to Access Metering Adjustment (Metering Adjustment Requires 3/32" Hex Key)



**Rough-in Requirement:**  
(2)  $\phi$  1-1/8" [29mm] Mounting Holes

**Product Specifications:**  
4" Centerset Mixing Faucet w/ Push Button Metering Cartridges, 2 7/8" Swivel Gooseneck, 2.2 GPM Aerator & 1/2" NPSM Male Inlets

**Product Compliance:**  
ASME A112.18.1 / CSA B125.1  
NSF 61 - Section 9  
NSF 372 (Low Lead Content)  
ANSI A117.1 (ADA)



# T&S BRASS AND BRONZE WORKS, INC.

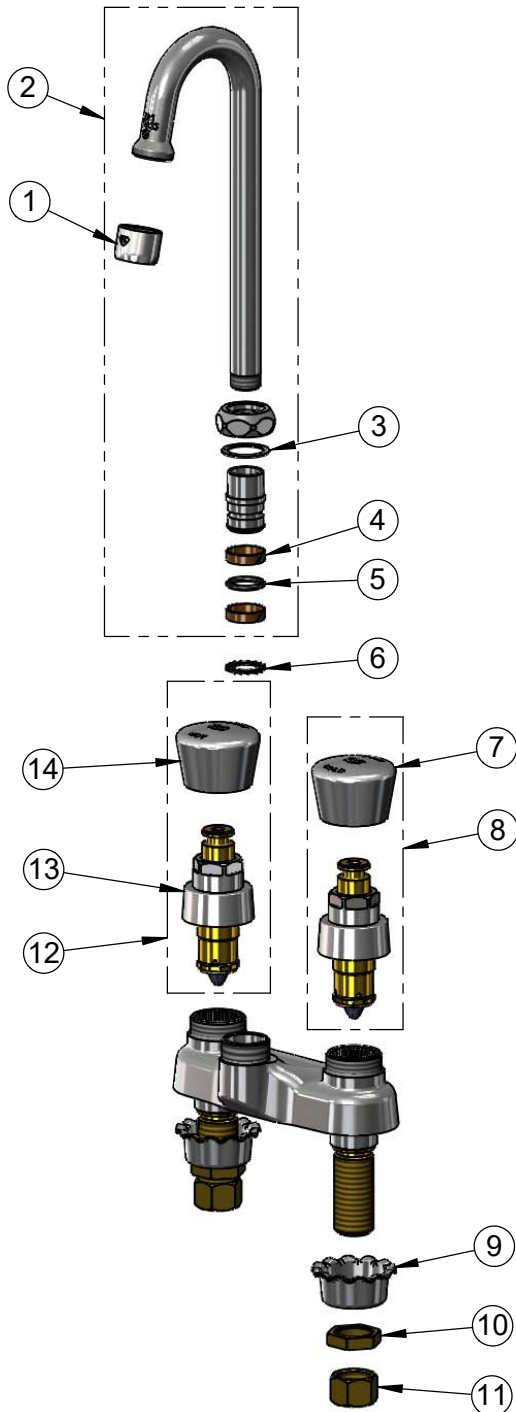
2 Saddleback Cove / P.O. Box 1088  
Travelers Rest, SC 29690

Model No.

**B-0834**

Item No.

Travelers Rest, SC: 800-476-4103 • Simi Valley, CA: 800-423-0150 • Fax: 864-834-3518 • www.tsbrass.com



ITEM NO.	SALES NO.	DESCRIPTION
1	B-0199-01	2.2 GPM Aerator, 55/64-27 UN Female
2	132X-A22	2 7/8" Swivel Gooseneck w/ 2.2 GPM Aerator
3	009538-45	Swivel Washer
4	011429-45	Swivel Sleeves (2)
5	001074-45	O-Ring
6	014200-45	Star Washer, Anti-Rotation
7	014195-40	Cold Cap Assembly
8	238AC	Metering Cartridge w/ Cold Push Button Cap & Spanner Bit
9	001000-45	Rosette Washer
10	002954-45	Shank Lock Nut
11	000958-20	Coupling Nut
12	238AH	Metering Cartridge w/ Hot Push Button Cap & Spanner Bit
13	238A	Push Button Metering Cartridge
14	014194-40	Hot Cap Assembly
15	014734-45	Spanner Bit

**Product Specifications:**

4" Centerset Mixing Faucet w/ Push Button Metering Cartridges, 2 7/8" Swivel Gooseneck, 2.2 GPM Aerator & 1/2" NPSM Male Inlets

**Product Compliance:**

ASME A112.18.1 / CSA B125.1  
NSF 61 - Section 9  
NSF 372 (Low Lead Content)  
ANSI A117.1 (ADA)