



T&S BRASS AND BRONZE WORKS, INC.

2 Saddleback Cove / P.O. Box 1088
Travelers Rest, SC 29690

Model No.

B-0805-VR

Item No.

Travelers Rest, SC: 800-476-4103 • Simi Valley, CA: 800-423-0150 • Fax: 864-834-3518 • www.tsbrass.com



ADA Compliant

This Space for Architect/Engineer Approval

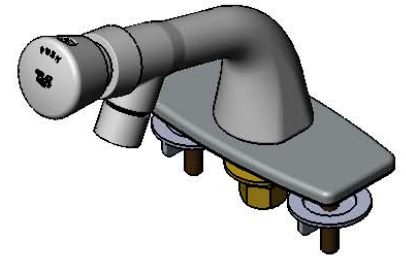
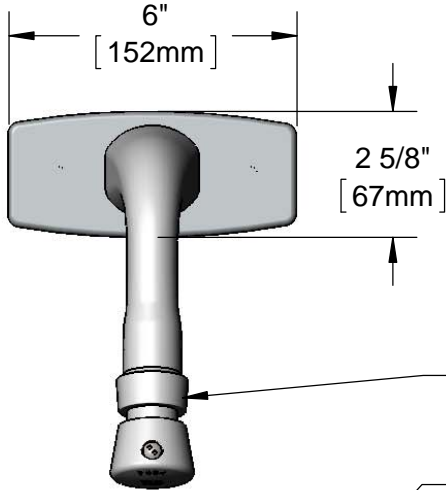
Job Name _____ Date _____

Model Specified _____ Quantity _____

Customer/Wholesaler _____

Contractor _____

Architect/Engineer _____



Metering Cartridge
(Requires 3/32" Hex Key for Adjustment)

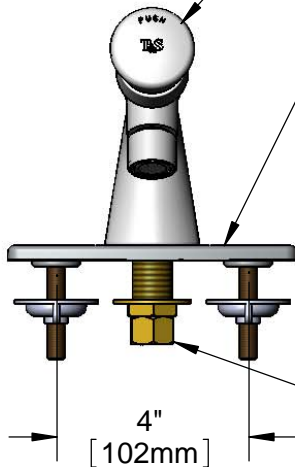
Blank Push Button Cap

Polish Chrome Plated Deck Plate w/ Deck Gasket

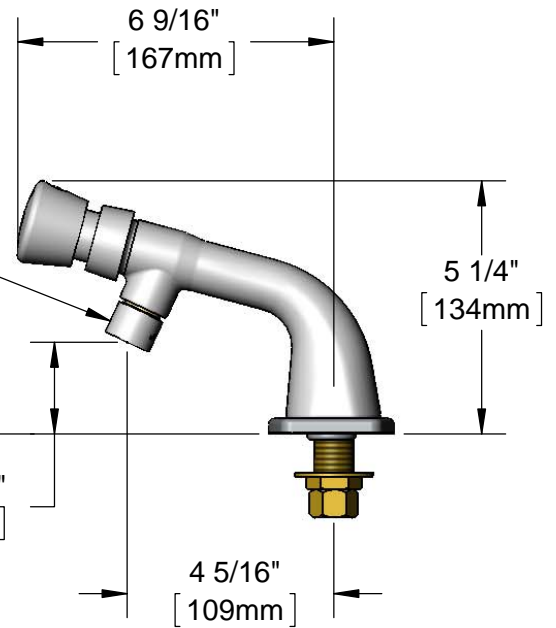
B-0199-07
2.2 GPM VR
Aerator

3/4"
[19mm]
Maximum
Thickness

Mounting Surface



1/2" NPSM
Male Inlet w/
Coupling Nut



Rough-In Requirement:

- Ø 1" [25mm] Center Mounting Hole
- (2) Ø 1 1/8" [29mm] Side Mounting Holes

Product Specifications:

Single Hole, Single Temperature Deck Mount Faucet, Push Button Metering Cartridge, 2.2 GPM VR Aerator, Chrome Plated Forged VR Deck Plate & 1/2" NPSM Male Inlet

Product Compliance:

ASME A112.18.1 / CSA B125.1
NSF 61 - Section 9
NSF 372 (Low Lead Content)
ANSI A117.1 (ADA)



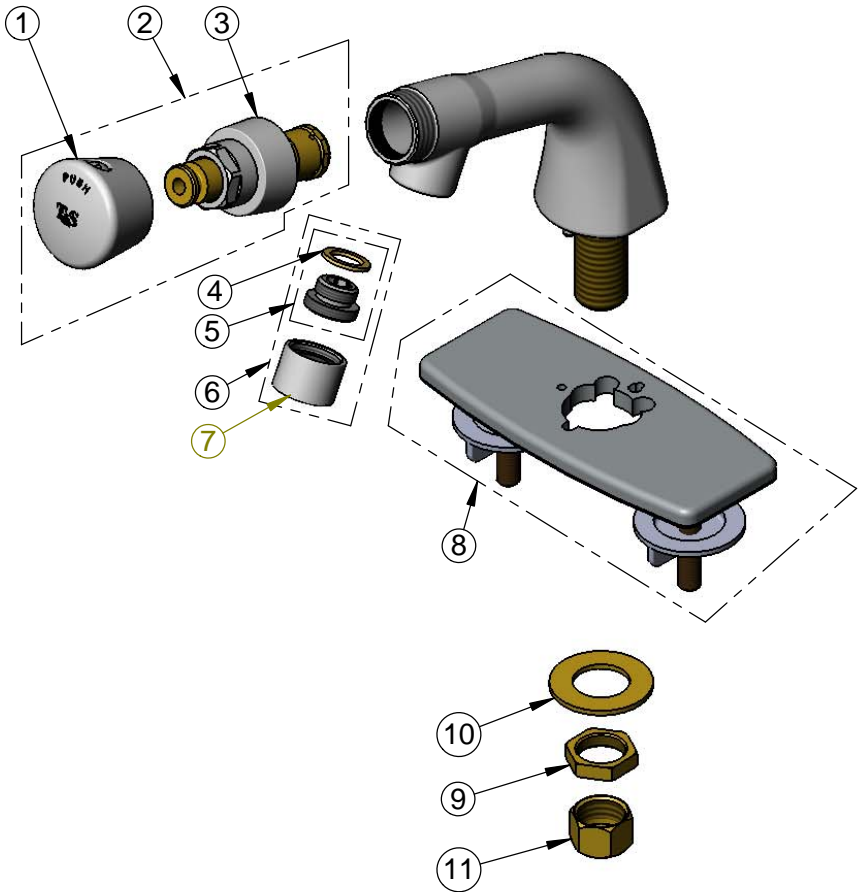
T&S BRASS AND BRONZE WORKS, INC.
 2 Saddleback Cove / P.O. Box 1088
 Travelers Rest, SC 29690

Model No.
B-0805-VR

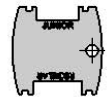
Item No.

Travelers Rest, SC: 800-476-4103 • Simi Valley, CA: 800-423-0150 • Fax: 864-834-3518 • www.tsbrass.com

ITEM NO.	SALES NO.	DESCRIPTION
1	014193-40	Blank Push Button Cap w/ Spanner Bit
2	238AB	Metering Cartridge w/ Blank Push Button Cap & Spanner Bit
3	238A	Push Button Metering Cartridge
4	001043-45	Washer
5	044A	3/8" to Aerator Adapter
6	B-0199-07	VR 2.2 GPM Aerator, 3/8" NPSM Male w/ Key
7	B-0199-06	VR 2.2 GPM Aerator, 55/64-27 UN Female w/ Key
8	013433-40	4" Universal Deck Plate, Gasket & Mounting Hardware
9	002954-45	Shank Lock Nut
10	000999-45	Brass Lock Washer
11	000958-20	Coupling Nut



014734-45
 #8 Spanner Bit



015425-45
 Vandal Resistant Key

Product Specifications:

Single Hole, Single Temperature Deck Mount Faucet, Push Button Metering Cartridge, 2.2 GPM VR Aerator, Chrome Plated Forged VR Deck Plate & 1/2" NPSM Male Inlet

Product Compliance:

ASME A112.18.1 / CSA B125.1
 NSF 61 - Section 9
 NSF 372 (Low Lead Content)
 ANSI A117.1 (ADA)