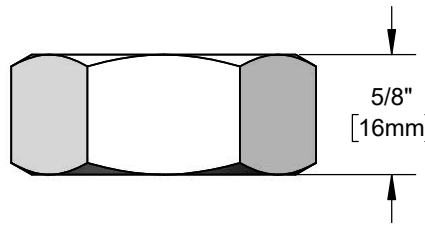
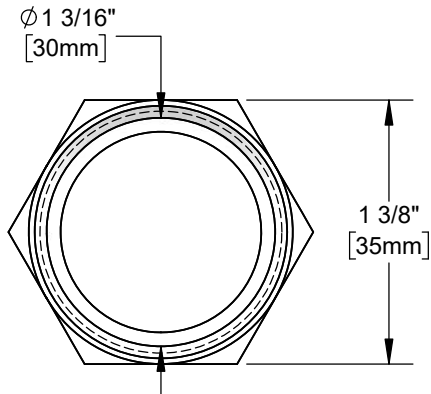
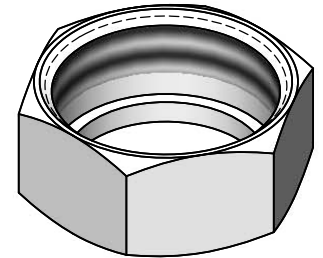




**Architect/Engineering Specifications:**

Rough chrome plated hex nut, faucet coupling flange with 1.260-14 UN female thread.

Job Name \_\_\_\_\_  
 Model Specified \_\_\_\_\_ Quantity \_\_\_\_\_  
 Variations Specified \_\_\_\_\_  
 Date \_\_\_\_\_



**Features & Benefits:**

- Hex nut, faucet coupling flange
- 1.260-14 UN female thread
- Material: Rough chrome plated brass

**Product Compliance:**

- N/A

**Warranty:** One Year (Limited)

**Performance Data:**

- N/A

