



# Foot Pedal Valves

## B-0504-LKS

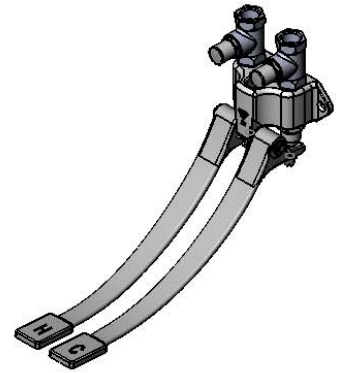
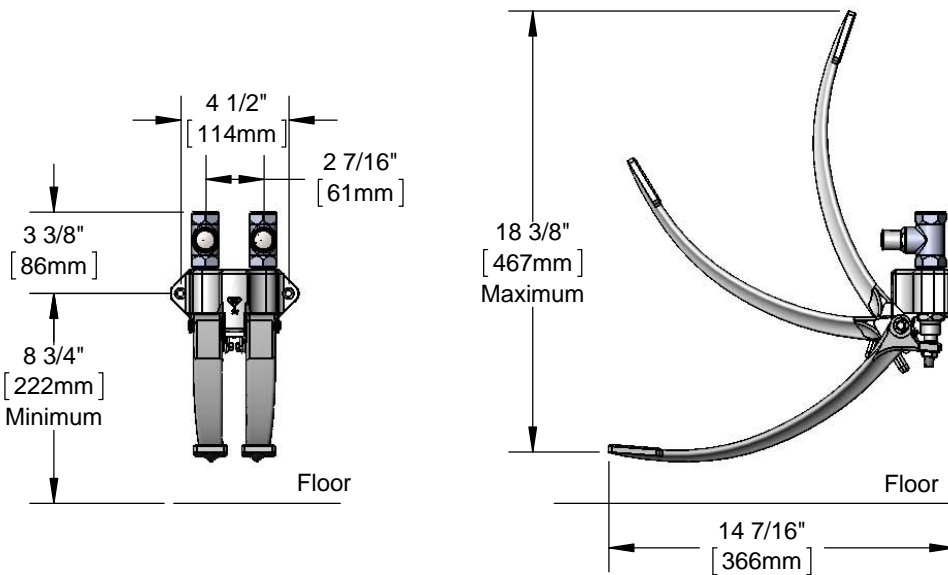
TAG:

### Double Pedal Valve

#### Architect/Engineering Specifications:

Wall mount double pedal valve, polished chrome plated solid brass body, 1/2" NPT female outlet, adjustable height aluminum pedals, self-closing valves cartridges, 1/2" NPT female loose key angle stop inlets and mounting screws. Certified to ASME A112.18.1/CSA B125.1, NSF 61-Section 9 and NSF 372.

Job Name \_\_\_\_\_  
 Model Specified \_\_\_\_\_ Quantity \_\_\_\_\_  
 Variations Specified \_\_\_\_\_  
 Date \_\_\_\_\_



#### Features & Benefits:

- Wall mount double pedal valve
- 1/2" NPT female outlet
- Adjustable height hot and cold pedals
- Pedals flip up for floor cleaning
- Self-closing valves
- 1/2" NPT female loose key angle stop inlets
- Includes mounting screws
- Material: Polished chrome plated brass body and satin finish aluminum pedals

#### Product Compliance:

- ASME A112.18.1 / CSA B125.1
- NSF 61 - Section 9
- NSF 372 (Low Lead Content)



**Warranty:** One Year (Limited)

#### Performance Data:

- Pressure: 20 - 125 psi
- Temperature: 40°F - 140°F
- Flow Rate: 9.28 GPM @ 60 psi



T&S BRASS AND BRONZE WORKS, INC.



• 2 Saddleback Cove • Travelers Rest, SC 29690  
 Ph 800-476-4103 • Fax 864-834-3518  
 • Simi Valley, CA • Ph 800-423-0150 • www.tsbrass.com

Date: 07/23/16