



**Architect/Engineering Specifications:**

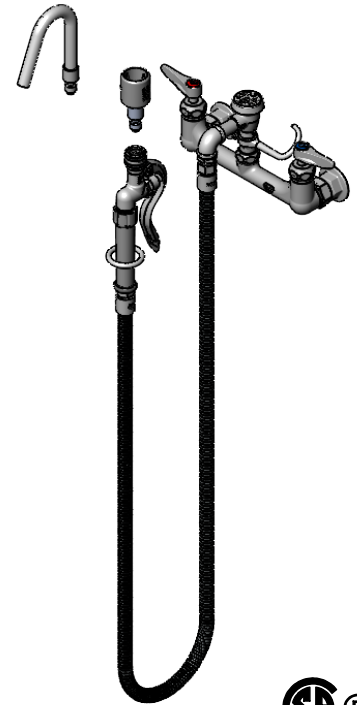
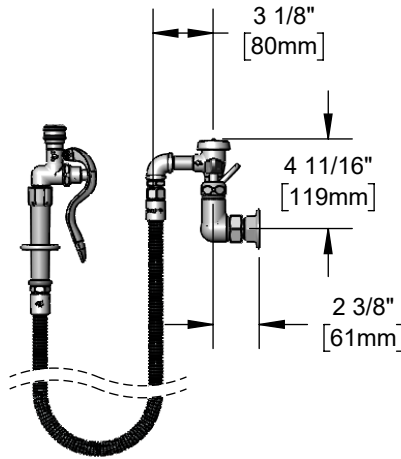
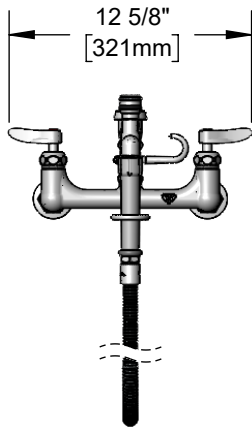
8" wall mount mixing faucet with chrome plated brass body, atmospheric vacuum breaker, 68" flexible stainless steel hose, quick disconnect self-closing spray valve, hook nozzle, 0.65 GPM spray head, ceramic cartridges with check valves, lever handles and 1/2" NPT female inlet. Certified to ASME A112.18.1/CSA B125.1, NSF 61-Section 9, NSF 372 and ASSE 1001. 2019 DOE PRSV - Class I (B-1428 only).

Job Name \_\_\_\_\_

Model Specified \_\_\_\_\_ Quantity \_\_\_\_\_

Variations Specified \_\_\_\_\_

Date \_\_\_\_\_



**Features & Benefits:**

- 8" wall mount mixing faucet with chrome plated brass body
- EasyInstall atmospheric vacuum breaker
- 68" flexible stainless steel hose w/ heat resistant gray handle and hold down ring
- Quick disconnect self-closing spray valve
- Quick disconnect hook nozzle
- Quick disconnect 0.65 GPM Fan Jet spray nozzle
- Quarter-turn Cerama cartridges w/ check valves to prevent cross flow of water
- Lever handles w/ color coded indexes
- 1/2" NPT female eccentric inlets w/ Ø 2" flanges
- Adjustable centers from 7 3/4" to 8 1/4"
- Material: Polished chrome plated brass body, chrome plated metal handles and stainless steel hose

**Product Compliance:**

- ASME A112.18.1 / CSA B125.1
- NSF 61 - Section 9
- NSF 372 (Low Lead Content)
- ASSE 1001 (VB)
- 2019 DOE PRSV - Class I, B-1428 only

**Warranty:** One Year (Limited)

- Cerama Cartridge: Lifetime (Limited)

**Performance Data:**

- Pressure: 20 - 125 psi [1.38 - 8.62 bar]
- Temperature: 40°F - 140°F [4.44°C - 60°C]
- Flow Rate:
  - Spray Nozzle: 0.65 GPM [2.5 L/min] @ 60 psi [4.14 bar]
  - Hook Nozzle: 2.71 GPM [10.3 L/min] @ 60 psi [4.14 bar]



**Optional Handles**

- 4" Wrist Action
- Lever (Standard)
- 4-Arm

**Optional Cartridges With Checks**

- Quarter-Turn Cerama w/ Check Valve (Standard)
- Quarter-Turn Eterna w/ Spring Check

