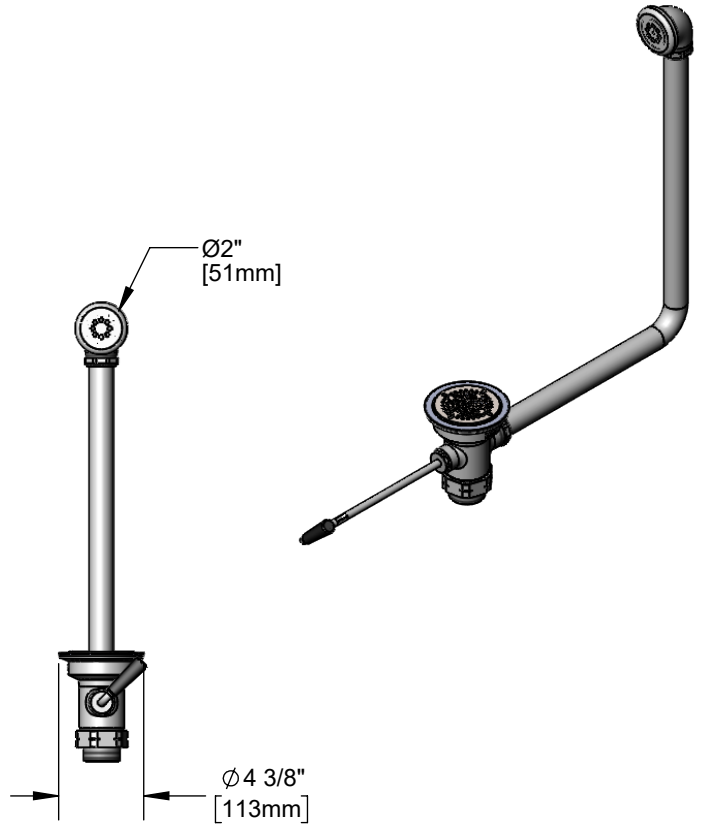
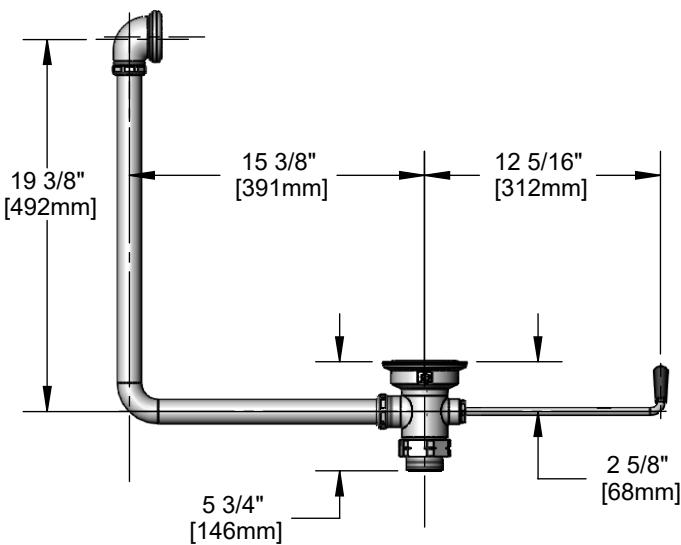




Architect/Engineering Specifications:

Rotary waste valve for 3 1/2" sink opening with rough chrome plated body, 2" NPT male / 1 1/2" NPT female outlet, twist handle with heat resistant plastic grip, 2" NPT female x 1 1/2" BSP male adapter, snap-in removable strainer and overflow tube assembly. Certified to ASME A112.18.2/CSA B125.2

Job Name _____
 Model Specified _____ Quantity _____
 Variations Specified _____
 Date _____



Features & Benefits:

- Rotary waste valve for 3 1/2" sink opening w/ rough chrome plated body
- 2" NPT male / 1 1/2" NPT female outlet
- Twist handle w/ heat resistant plastic grip
- 2" NPT female x 1 1/2" BSP male adapter
- Snap-in removable strainer
- Overflow tube assembly outlet w/ head and elbow tube
- Material: Chrome plated brass body, adapter, overflow tube & overflow head and stainless steel handle & flat strainer

Product Compliance:

- ASME A112.18.2 / CSA B125.2



Warranty: One Year (Limited)

Performance Data:

- Discharge Rate: 17.14 GPM [64.88 L/min] max
- Temperature: 40°F -180°F [4.44°C -82.2°C]

