



T&S BRASS AND BRONZE WORKS, INC.
 2 Saddleback Cove / P.O. Box 1088
 Travelers Rest, SC 29690

Model No.
B-1110-131X-WH4

Item No.

Travelers Rest, SC: 800-476-4103 • Simi Valley, CA: 800-423-0150 • Fax: 864-834-3518 • www.tsbrass.com



ADA Compliant

This Space for Architect/Engineer Approval

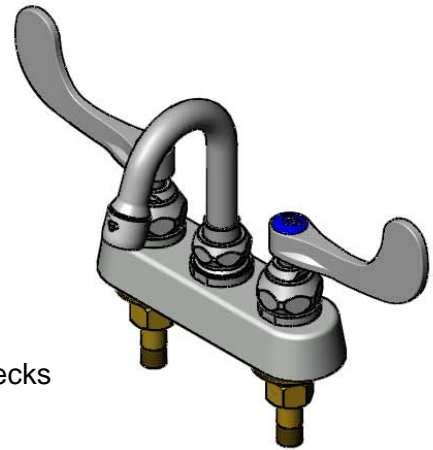
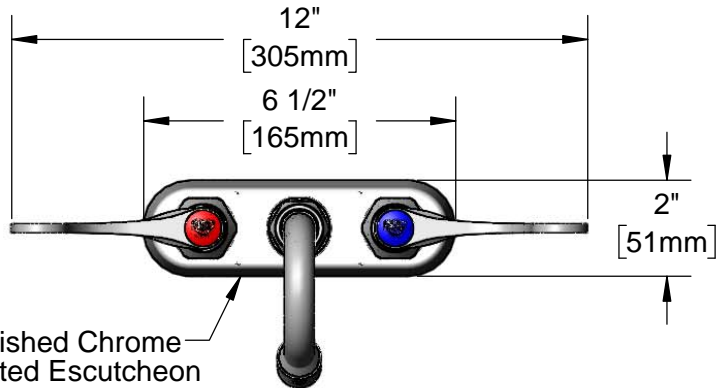
Job Name _____ Date _____

Model Specified _____ Quantity _____

Customer/Wholesaler _____

Contractor _____

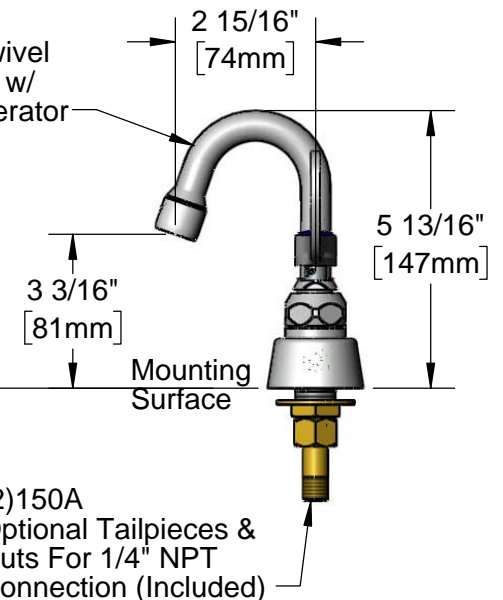
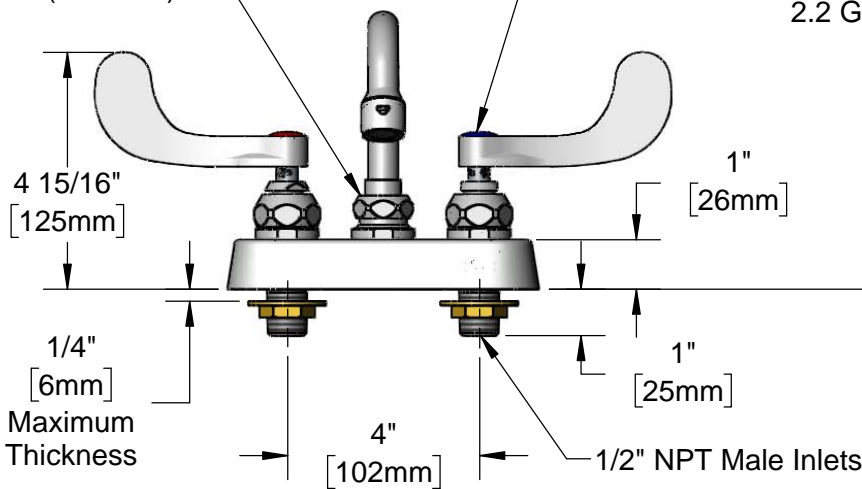
Architect/Engineer _____



Quarter-Turn Eterna Cartridges w/ Spring Checks & Wrist Action Handles w/ Color Coded Indexes

Swivel Joint Converts to Rigid w/ 014200-45 Lock Washer (Included)

131X-A22 2 15/16" Swivel Gooseneck w/ 2.2 GPM Aerator



Rough-In Requirement:
 (2) \varnothing 1" [25mm] Mounting Holes

Product Specifications:
 4" Deck Mount Workboard Faucet, Quarter-Turn Eterna Cartridges w/ Spring Checks, 4" Wrist Action Handles, 2 15/16" Swivel Gooseneck, 2.2 GPM Aerator & 1/2" NPT Male Inlets

Product Compliance:
 ASME A112.18.1 / CSA B125.1
 NSF 61 - Section 9
 NSF 372 (Low Lead Content)
 ANSI A117.1 (ADA)



T&S BRASS AND BRONZE WORKS, INC.

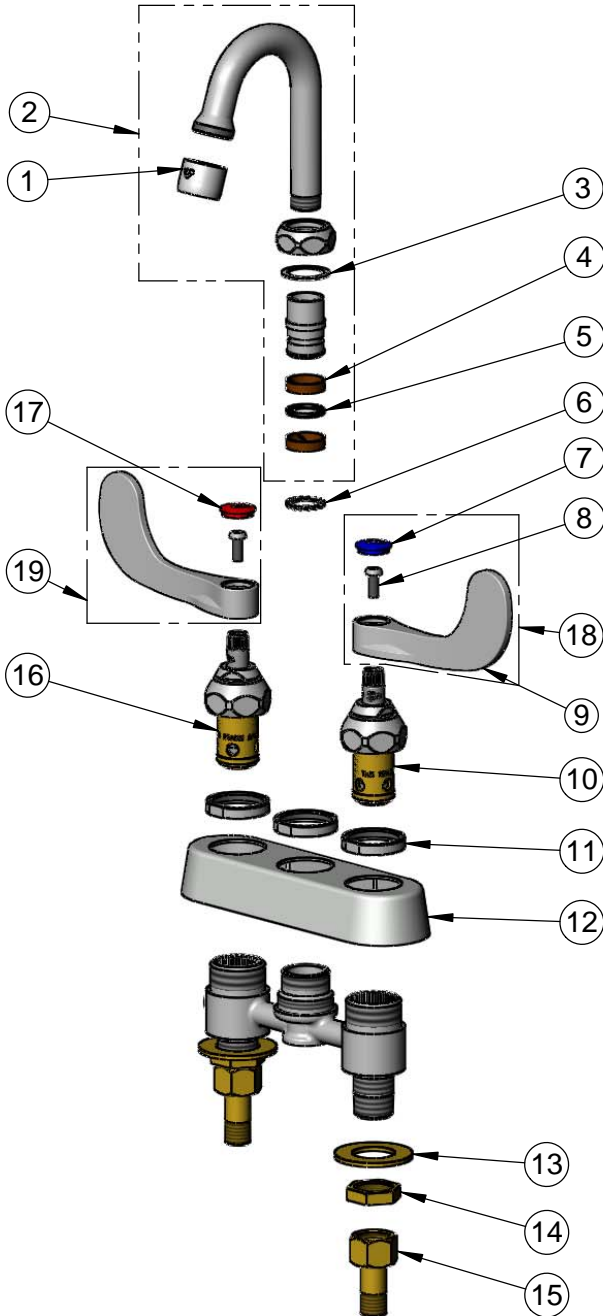
2 Saddleback Cove / P.O. Box 1088
Travelers Rest, SC 29690

Model No.

B-1110-131X-WH4

Item No.

Travelers Rest, SC: 800-476-4103 • Simi Valley, CA: 800-423-0150 • Fax: 864-834-3518 • www.tsbrass.com



ITEM NO.	SALES NO.	DESCRIPTION
1	B-0199-01	2.2 GPM Aerator, 55/64"-27 UN Female
2	131X-A22	2 15/16" Swivel Gooseneck w/ 2.2 GPM Aerator
3	009538-45	Swivel Washer
4	011429-45	Swivel Sleeves (2)
5	001074-45	O-Ring
6	014200-45	Star Washer, Anti-Rotation
7	018506-19NS	Blue Button Index, Press-in
8	000925-45	Lab Handle Screw
9	B-WH4-NS	Wrist Action Handle (New Style)
10	012442-40NS	Quarter-Turn Eterna Cartridge w/ Spring Check, LTC
11	019376-40	Escutcheon Lock Nut
12	019374-40	B-1100 Eterna Workboard Escutcheon
13	000999-45	Brass Lock Washer
14	002954-45	Shank Lock Nut
15	150A	1/4" NPT Tailpiece & Nut
16	012443-40NS	Quarter-Turn Eterna Cartridge w/ Spring Check, RTC
17	001193-19NS	Red Button Index, Press-in
18	B-WH4C-NS	Wrist Action Handle, Blue Index & Screw
19	B-WH4H-NS	Wrist Action Handle, Red Index & Screw

Product Specifications:

4" Deck Mount Workboard Faucet, Quarter-Turn Eterna Cartridges w/ Spring Checks, 4" Wrist Action Handles, 2 15/16" Swivel Gooseneck, 2.2 GPM Aerator & 1/2" NPT Male Inlets

Product Compliance:

ASME A112.18.1 / CSA B125.1
NSF 61 - Section 9
NSF 372 (Low Lead Content)
ANSI A117.1 (ADA)