



T&S BRASS AND BRONZE WORKS, INC.

2 Saddleback Cove / P.O. Box 1088
Travelers Rest, SC 29690

Model No.

B-0290-112X

Item No.

Travelers Rest, SC: 800-476-4103 • Simi Valley, CA: 800-423-0150 • Fax: 864-834-3518 • www.tsbrass.com



ADA Compliant

This Space for Architect/Engineer Approval

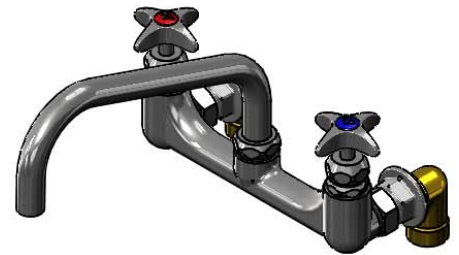
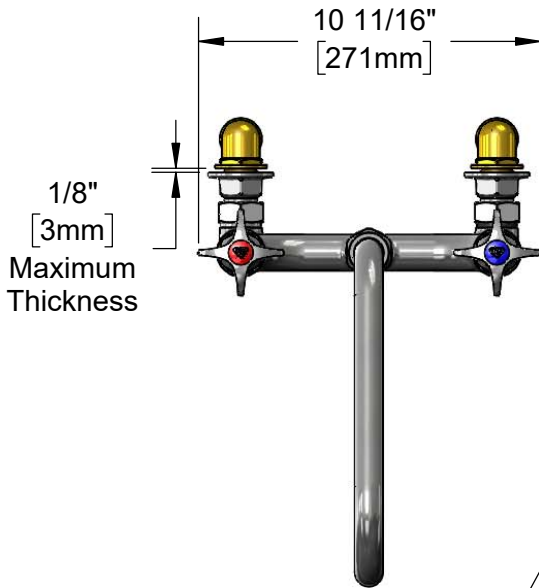
Job Name _____ Date _____

Model Specified _____ Quantity _____

Customer/Wholesaler _____

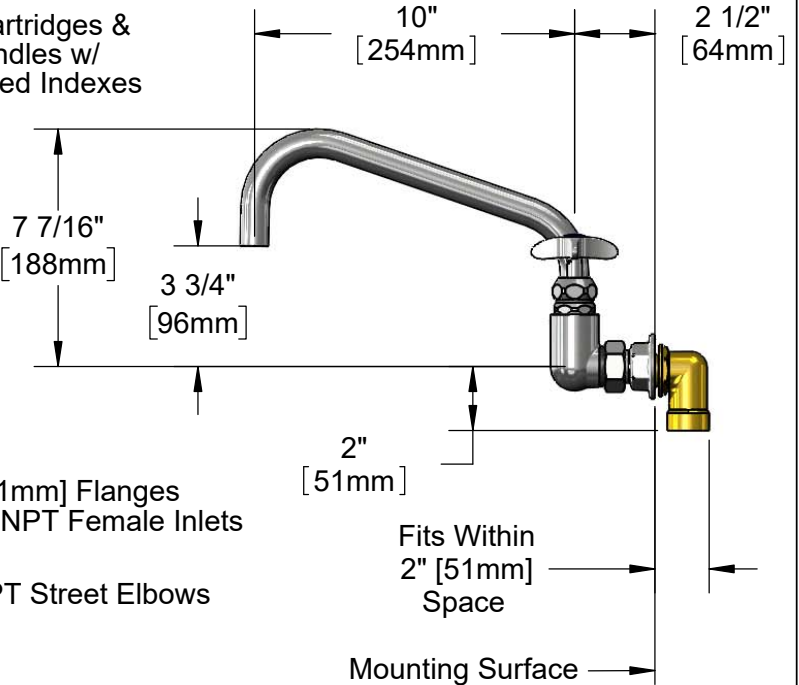
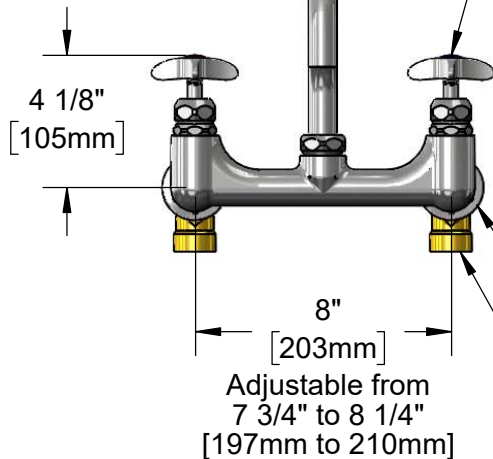
Contractor _____

Architect/Engineer _____



112X
10" Big-Flo Swing Nozzle
w/ Plain End Outlet.
Converts to Rigid with
016807-45 Lock Washer
(Included)

Big-Flo Cartridges &
4-Arm Handles w/
Color Coded Indexes



Ø2" [51mm] Flanges
w/ 3/4" NPT Female Inlets

3/4" NPT Street Elbows

Adjustable from
7 3/4" to 8 1/4"
[197mm to 210mm]

Rough-In Requirement:
(2) Ø1 1/4" [32mm] Mounting Holes

Product Specifications:
8" Wall Mount Big-Flo Mixing Faucet, Big-Flo Cartridges, 4-Arm Handles,
10" Big-Flo Swing Nozzle & 3/4" NPT Female Inlets

Product Compliance:
ASME A112.18.1 / CSA B125.1
NSF 61 - Section 9
NSF 372 (Low Lead Content)
ANSI A117.1 (ADA)



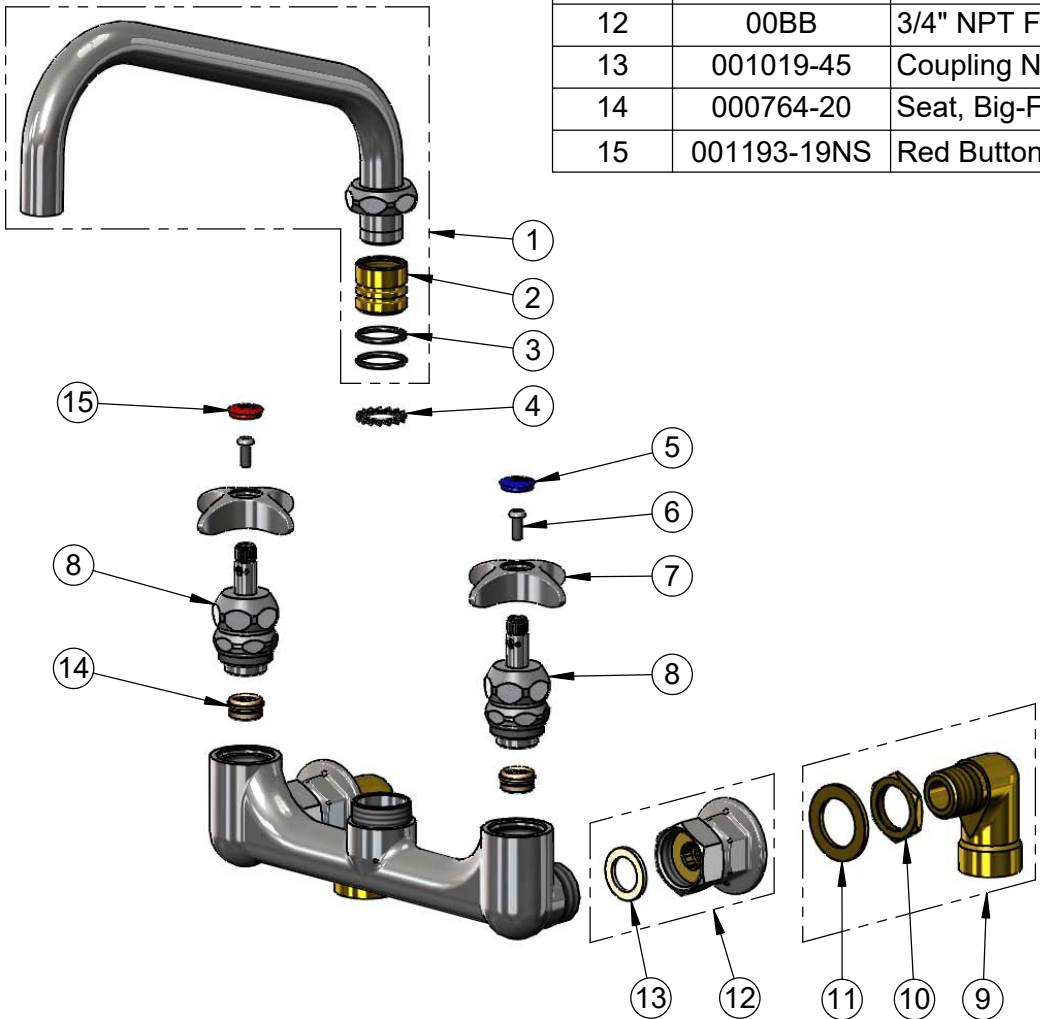
T&S BRASS AND BRONZE WORKS, INC.
 2 Saddleback Cove / P.O. Box 1088
 Travelers Rest, SC 29690

Model No.
B-0290-112X

Item No.

Travelers Rest, SC: 800-476-4103 • Simi Valley, CA: 800-423-0150 • Fax: 864-834-3518 • www.tsbrass.com

ITEM NO.	SALES NO.	DESCRIPTION
1	112X	10" Big-Flo Swing Nozzle
2	000847-20	Big-Flo Swivel Piece
3	001068-45	O-ring
4	016807-45	Serrated Lock Washer
5	018506-19NS	Blue Button Index, Press-in
6	000925-45	Lab Handle Screw
7	002521-45NS	4-Arm Handle (New Style)
8	006482-40NS	Big-Flo Cartridge, RTC
9	00LL	3/4" Short Elbow Inlet
10	000971-45	Lock Nut, 3/4" NPSM
11	001005-45	Washer
12	00BB	3/4" NPT Female Eccentric Flange
13	001019-45	Coupling Nut Washer
14	000764-20	Seat, Big-Flo
15	001193-19NS	Red Button Index, Press-in



Product Specifications:
 8" Wall Mount Big-Flo Mixing Faucet, Big-Flo Cartridges, 4-Arm Handles,
 10" Big-Flo Swing Nozzle & 3/4" NPT Female Inlets

Product Compliance:
 ASME A112.18.1 / CSA B125.1
 NSF 61 - Section 9
 NSF 372 (Low Lead Content)
 ANSI A117.1 (ADA)