



Foot Pedal Valves

B-0507-BSPP

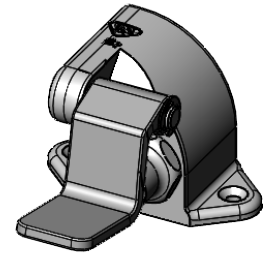
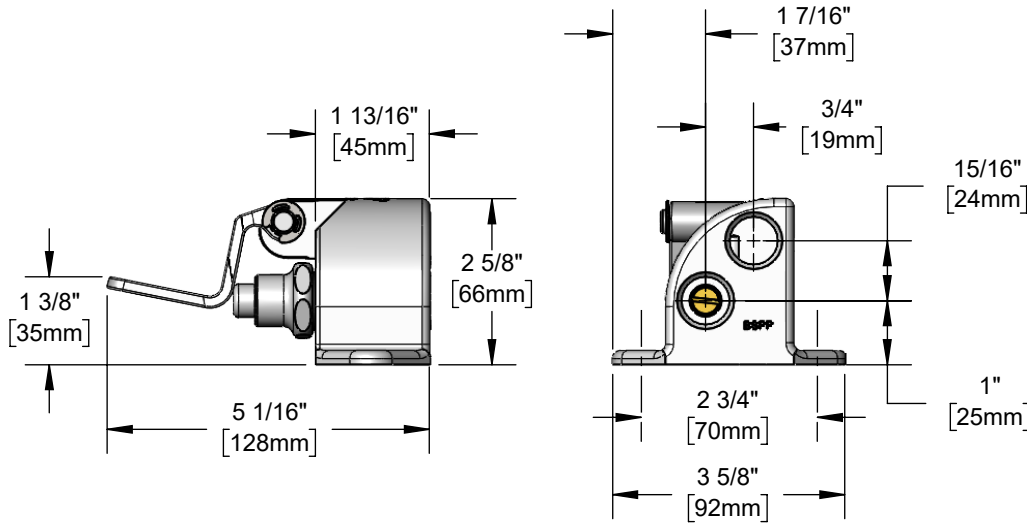
TAG:

Single Pedal Valve

Architect/Engineering Specifications:

Floor mounted single pedal valve with polished chrome plated solid brass body and pedal, self-closing valve, G1/2 BSPP female inlet and outlet and mounting screws. Certified to ASME A112.18.1/CSA B125.1, NSF 61-Section 9 and NSF 372.

Job Name	_____
Model Specified	_____ Quantity _____
Variations Specified	_____
Date	_____



Features & Benefits:

- Floor mount single pedal valve
- Blank foot pedal
- Pedal flips up for floor cleaning
- Self-closing valve
- G1/2 BSPP female inlet
- G1/2 BSPP female outlet
- Mounting screws included
- Material: Polished chrome brass body & pedal

Product Compliance:

- ASME A112.18.1 / CSA B125.1
- NSF 61 - Section 9
- NSF 372 (Low Lead Content)



Warranty: One Year (Limited)

Performance Data:

- Pressure: 20 - 125 psi [1.38 - 8.62 bar]
- Temperature: 40°F - 140°F [4.44°C - 60°C]
- Flow Rate: 4.92 GPM [18.62 L/min] @ 60 psi [4.14 bar]



T&S BRASS AND BRONZE WORKS, INC.



• 2 Saddleback Cove • Travelers Rest, SC 29690
 Ph 800-476-4103 • Fax 864-834-3518
 • Simi Valley, CA • Ph 800-423-0150 • www.tsbrass.com

Date: 08/08/24