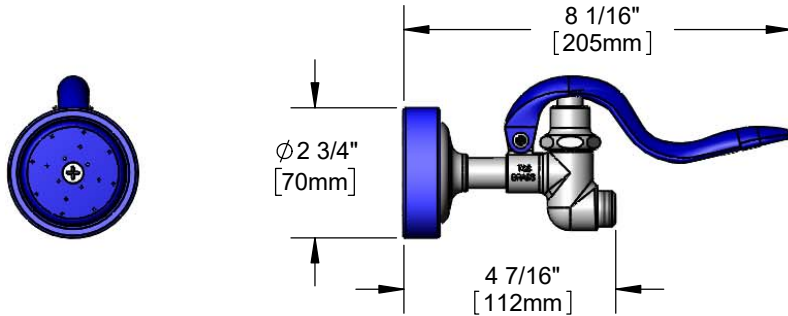




Architect/Engineering Specifications:

High flow spray valve, polished chrome plated brass body with blue rubber bumper and 3/4-14 UN male inlet. Certified to ASME A112.18.1/CSA B125.1, NSF 61-Section 9 and NSF 372.

Job Name	_____
Model Specified	_____ Quantity _____
Variations Specified	_____
Date	_____



Features & Benefits:

- Designed for heavy-duty use in industrial kitchens
- High flow spray valve
- Shuts off when handle is released
- Hold down ring
- 3/4-14 UN male inlet fitting
- Material: Polished chrome plated brass body and blue rubber bumper

Product Compliance:

- ASME A112.18.1 / CSA B125.1
- NSF 61 - Section 9
- NSF 372 (Low Lead Content)
- 2019 DOE PRSV Non-Compliant
- Product Not Designed/Intended for Commercial Warewashing in North America



Warranty: One Year (Limited)

Performance Data:

- Pressure: 20 - 125 psi [1.38 - 8.62 bar]
 - Temperature: 40 °F - 140 °F [4.44 °C - 60 °C]
 - Flow Rate: 5.60 GPM [21.20 L/min] @ 60 psi [4.14 bar]
- Final Configuration (Hose and/or Handle) Will Reduce Flow Rate

