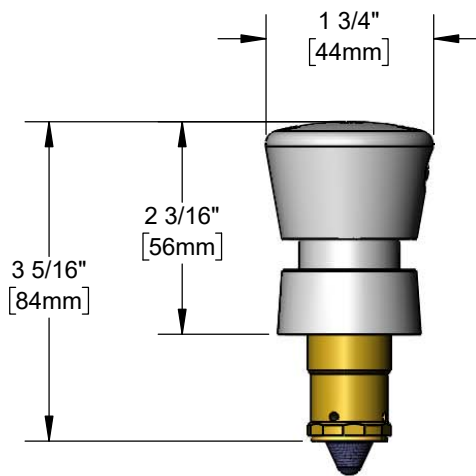




Architect/Engineering Specifications:

Metering cartridge with cold push cap with vandal resistant screw and filter washer. Certified to ASME A112.18.1/CSA B125.1, NSF 61-Section 9 and NSF 372. Meets ADA ANSI/ICC A117.1 requirements.

Job Name _____
 Model Specified _____ Quantity _____
 Variations Specified _____
 Date _____



Features & Benefits:

- Metering cartridge
- Adjustable metering cycle, 10 to 30 seconds
- Push button (cold) cap w/ vandal resistant screw
- Filter washer
- Material: Chrome plated brass body, and chrome plated metal cap

Product Compliance:

- ASME A112.18.1 / CSA B125.1
- NSF 61 - Section 9
- NSF 372 (Low Lead Content)
- ANSI A117.1 (ADA)

Warranty: One Year (Limited)

Performance Data:

- Pressure: 20 - 125 psi [1.38 - 8.62 bar]
- Temperature: 40 °F - 140 °F [4.44 °C - 60 °C]
- Flow Rate: 3.14 GPM [11.89 L/min] @ 60 psi [4.14 bar]



ADA Compliant

