



# T&S BRASS AND BRONZE WORKS, INC.

2 Saddleback Cove / P.O. Box 1088  
Travelers Rest, SC 29690

Model No.

**B-0221**

Item No.

Travelers Rest, SC: 800-476-4103 • Simi Valley, CA: 800-423-0150 • Fax: 864-834-3518 • www.tsbrass.com



**ADA Compliant**

This Space for Architect/Engineer Approval

Job Name \_\_\_\_\_ Date \_\_\_\_\_

Model Specified \_\_\_\_\_ Quantity \_\_\_\_\_

Customer/Wholesaler \_\_\_\_\_

Contractor \_\_\_\_\_

Architect/Engineer \_\_\_\_\_

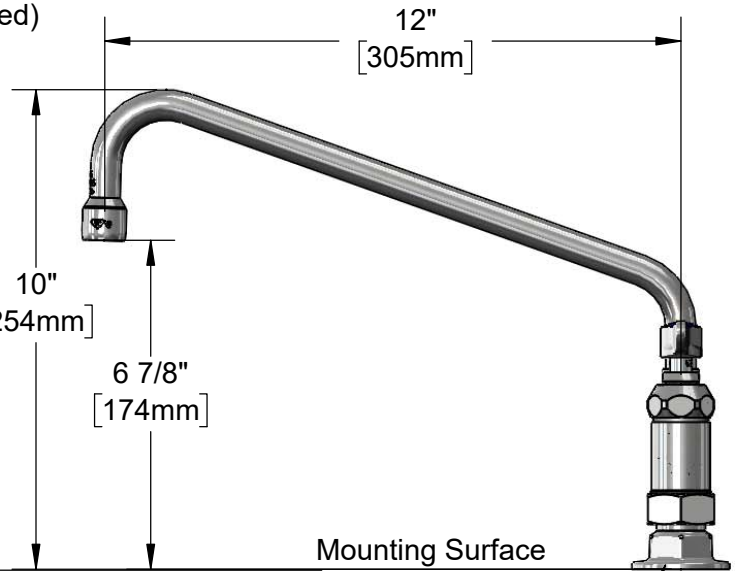


12 5/8"  
[321mm]

Quarter-Turn  
Eterna Cartridges w/  
Spring Checks  
& Lever Handles  
w/ Color Coded  
Indexes



062X  
12" Swing Nozzle w/  
Stream Regulator  
Outlet.  
Converts to Rigid w/  
014200-45  
Lock Washer (Included)



12"  
[305mm]

10"  
[254mm]

6 7/8"  
[174mm]

Mounting Surface

5 3/16"  
[132mm]

Swivel Joint

8"  
[203mm]

Adjustable From  
7 3/4" to 8 1/4"  
[197mm to 210mm]

Ø 2" [51mm]  
Flanges w/  
1/2" NPT  
Female Inlets

**Product Specifications:**

8" Deck Mount Mixing Faucet, Quarter-Turn Eterna Cartridges w/ Spring Checks, Lever Handles, 12" Swing Nozzle w/ Stream Regulator Outlet & 1/2" NPT Female Inlets

**Product Compliance:**

ASME A112.18.1 / CSA B125.1  
NSF 61 - Section 9  
NSF 372 (Low Lead Content)  
ANSI A117.1 (ADA)



# T&S BRASS AND BRONZE WORKS, INC.

2 Saddleback Cove / P.O. Box 1088  
Travelers Rest, SC 29690

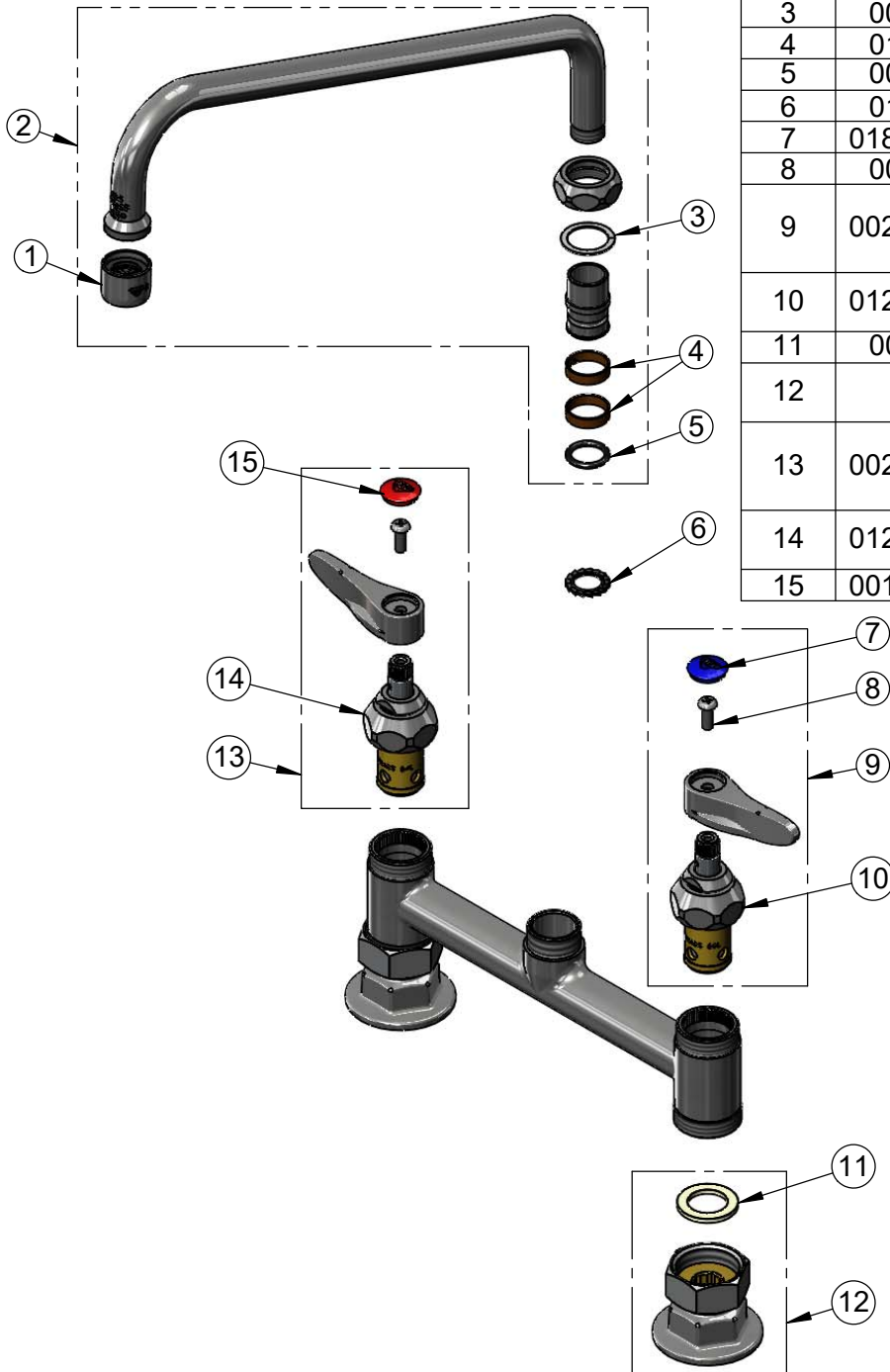
Model No.

**B-0221**

Item No.

Travelers Rest, SC: 800-476-4103 • Simi Valley, CA: 800-423-0150 • Fax: 864-834-3518 • www.tsbrass.com

ITEM NO.	SALES NO.	DESCRIPTION
1	B-PT	Full Flow Stream Regulator, 55/64-27
2	062X	12" Swing Nozzle
3	009538-45	Swivel Washer
4	011429-45	Swivel Sleeves (2)
5	001074-45	O-Ring
6	014200-45	Star Washer, Anti-Rotation
7	018506-19NS	Blue Button Index, Press-in
8	000925-45	Lab Handle Screw
9	002711-40NS	Quarter-Turn Eterna Cartridge w/ Spring Check, Handle, Blue Index & Screw, LTC
10	012442-40NS	Quarter-Turn Eterna Cartridge w/ Spring Check, LTC
11	001019-45	Coupling Nut Washer
12	00AA	1/2" NPT Female Eccentric Flange
13	002712-40NS	Quarter-Turn Eterna Cartridge w/ Spring Check, Handle, Red Index & Screw, RTC
14	012443-40NS	Quarter-Turn Eterna Cartridge w/ Spring Check, RTC
15	001193-19NS	Red Button Index, Press-in



**Product Specifications:**

8" Deck Mount Mixing Faucet, Quarter-Turn Eterna Cartridges w/ Spring Checks, Lever Handles, 12" Swing Nozzle w/ Stream Regulator Outlet & 1/2" NPT Female Inlets

**Product Compliance:**

ASME A112.18.1 / CSA B125.1  
NSF 61 - Section 9  
NSF 372 (Low Lead Content)  
ANSI A117.1 (ADA)